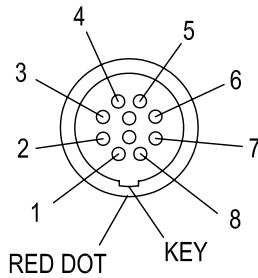


FUTEK MODEL ZCC930

10 Pin Lemo To Cable Assembly FOR FUTEK MODELS MTA400, QMA102

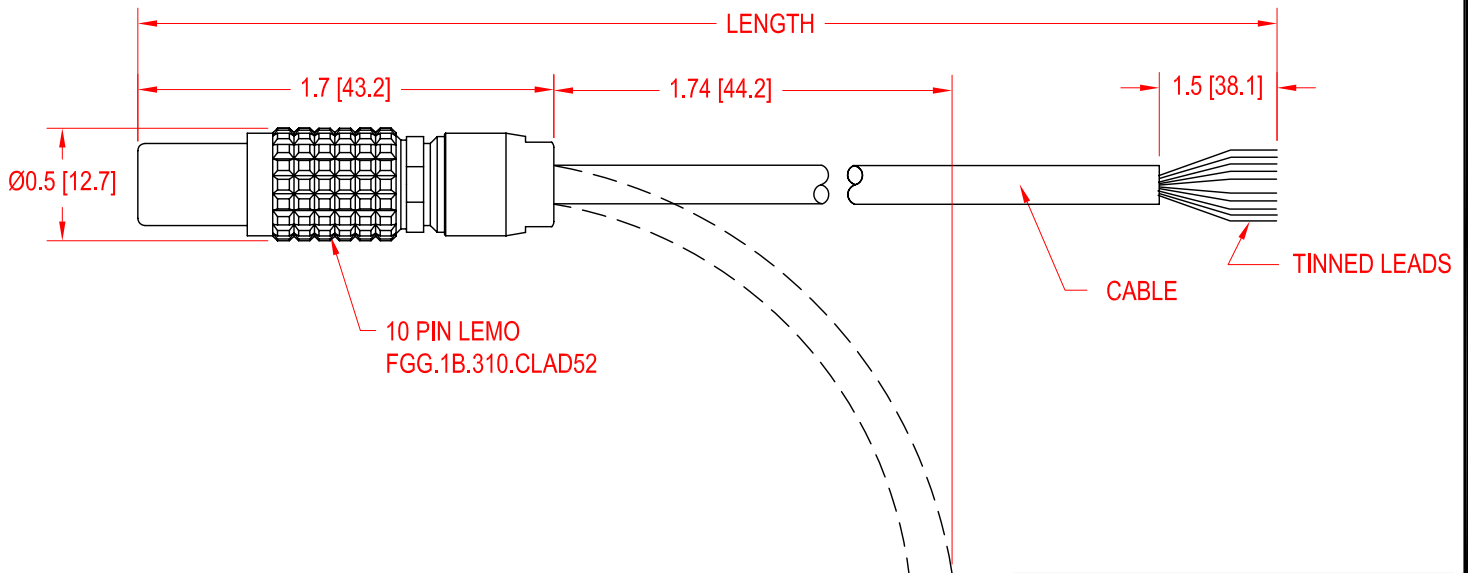
Drawing Number: FI1109-A

INCH [mm]



FRONT VIEW

COLOR	PIN #	CODE	CH
RED	1	+EXCITATION	Fx, Fy, Fz
BLACK	2	-EXCITATION	Fx, Fy, Fz
GREEN	3	+SIGNAL	Fx
WHITE	4	-SIGNAL	
BLUE	5	+SIGNAL	Fy
YELLOW	6	-SIGNAL	
VIOLET	7	+SIGNAL	Fz
ORANGE	8	-SIGNAL	
SHIELD		(FLOATING)	



SCIENCE GATE
Your Automation Partner



SCIGATE AUTOMATION (S) PTE LTD
No. 1 Bukit Batok Street 22 #01-01 Singapore 659592
Tel: (65) 6561 0488 Fax: (65) 6562 0588
Email: sales@scigate.com.sg Web: www.scigate.com.sg
Business Hours: Monday - Friday 8.30am - 6.15pm

ITEM #	LENGTH	CABLE	SPECIFICATIONS
FSH02172	5 ft	30 AWG, 10 CONDUCTOR BRAIDED SHIELDED POLYURETHANE DIAMETER: 0.174 [4.4] CABLE MINIMUM BEND RADIUS: 1.74 [44.2]	TEMP: -40° to 176°F -40° to 80°C IP RATING IP50
FSH01848	10 ft		
FSH02445	15 ft		
FSH02177	20 ft		
FSH02178	30 ft		
FSH02179	50 ft		
FSH02180	100 ft		