

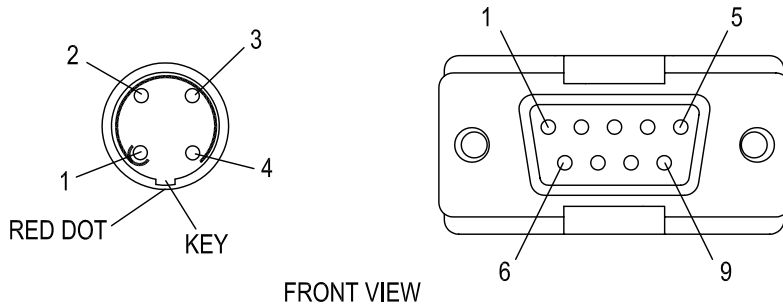
FUTEK MODEL ZCC941

4 Pin Lemo to DB9 Cable Assembly

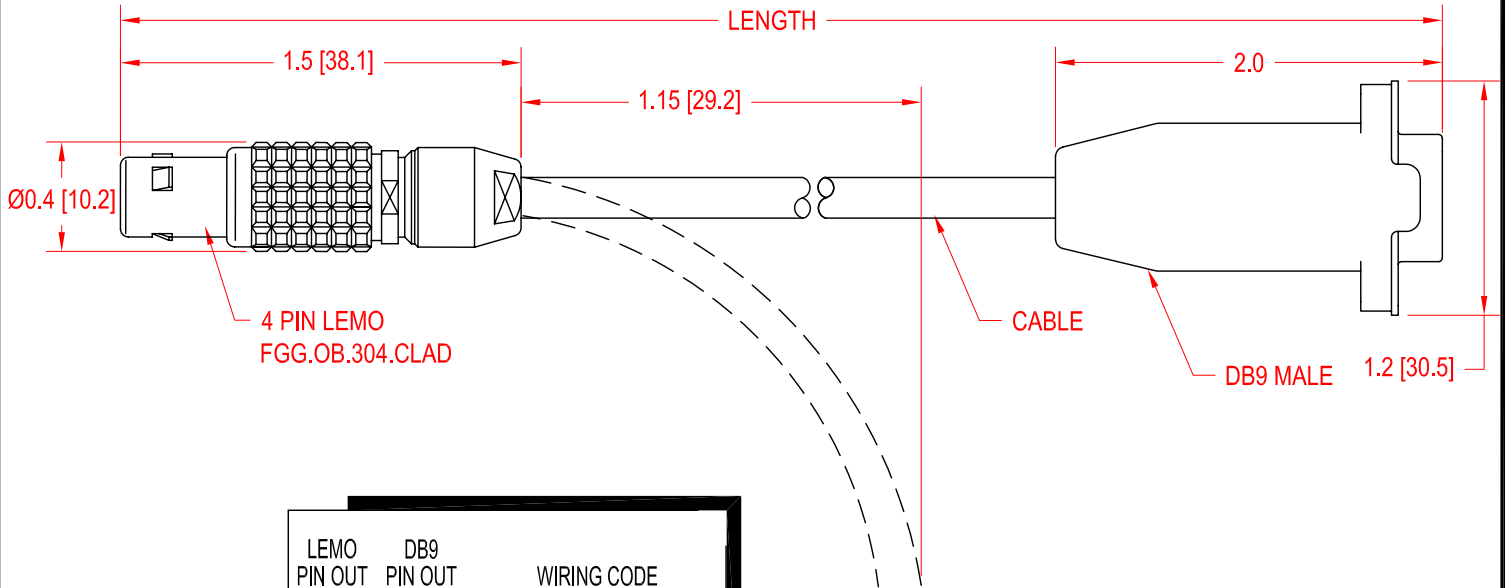
Drawing Number: FI1107-A

FOR FUTEK MODELS WITH CC4 CONNECTION AND MATES TO CSG110

INCH [mm]



FRONT VIEW



LEMO PIN OUT	DB9 PIN OUT	WIRING CODE
1	1	RED (+EXCITATION)
2	2	GREEN (+SIGNAL)
3	3	WHITE (-SIGNAL)
4	4	BLACK (-EXCITATION)
		SHIELD (FLOATING)

SCIGATE AUTOMATION (S) PTE LTD
 No. 1 Bukit Batok Street 22 #01-01 Singapore 659592
 Tel: (65) 6561 0488 Fax: (65) 6562 0588
 Email: sales@scigate.com.sg Web: www.scigate.com.sg
 Business Hours: Monday - Friday 8.30am - 6.15pm

ITEM #	LENGTH	CABLE	SPECIFICATIONS
FSH02151	5 ft	28 AWG, 4 CONDUCTOR BRAIDED SHIELDED CLEAR PVC DIAMETER: 0.115 [2.9] CABLE MINIMUM BEND RADIUS: 1.15 [29.2]	TEMP: -40° to 176°F -40° to 80°C
FSH01601	10 ft		
FSH01481	15 ft		
FSH02152	20 ft		
FSH02153	30 ft		
FSH02154	50 ft		
FSH02155	100 ft	26 AWG, 4 CONDUCTOR BRAIDED SHIELDED TEFLON DIAMETER: 0.115 [2.9] CABLE MINIMUM BEND RADIUS: 1.15 [29.2]	IP RATING IP50
FSH02156	5 ft		
FSH01949	10 ft		
FSH02442	15 ft		
FSH02157	20 ft		
FSH02158	30 ft		
FSH02159	50 ft		
FSH02160	100 ft		