

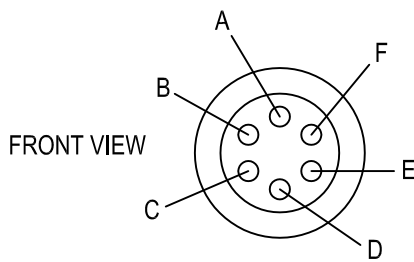
FUTEK MODEL ZCC950

6 Pin Bendix To Cable Assembly

Drawing Number: FI1111-C

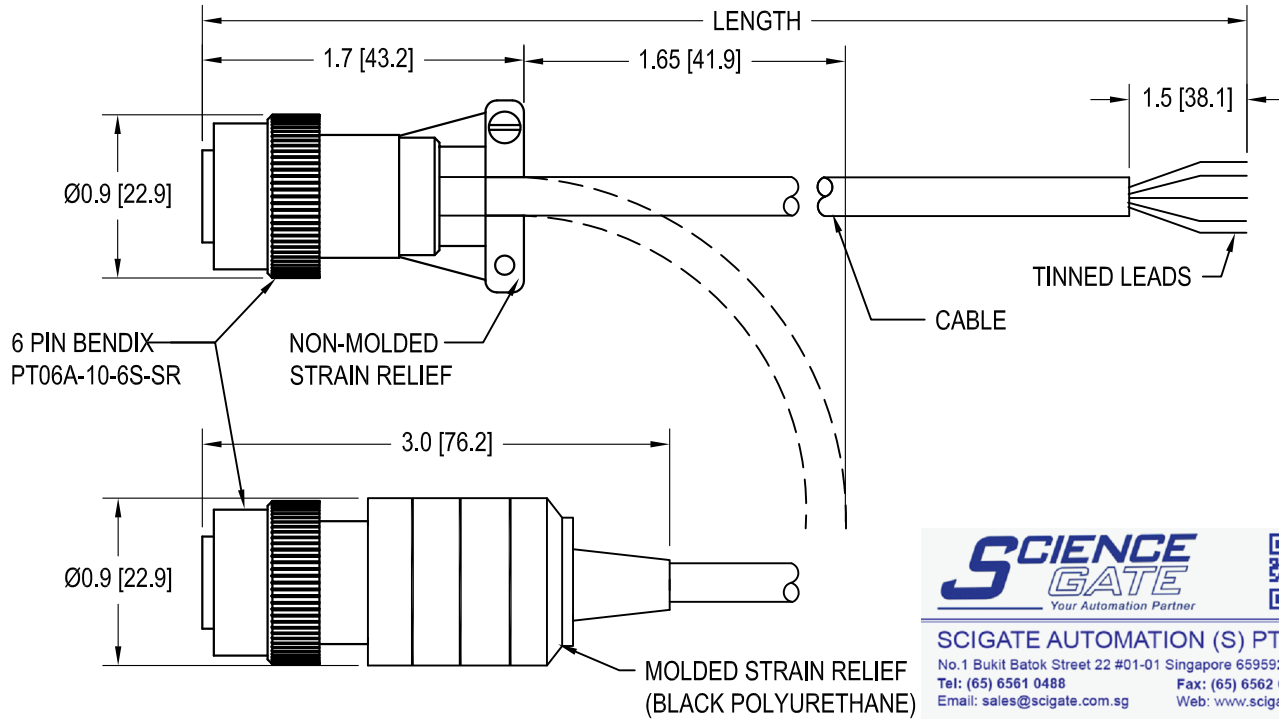
FOR FUTEK MODELS WITH CC1/CC2 CONNECTION

INCH [mm]



PIN	CC1 (*CC1T)	CC2 (*CC2T)
A	RED (+EXCITATION)	RED (+EXCITATION)
B	BLACK (-EXCITATION)	GREEN (+SIGNAL)
C	GREEN (+SIGNAL)	WHITE (-SIGNAL)
D	WHITE (-SIGNAL)	BLACK (-EXCITATION)
E	ORANGE (+SENSE / *TEDs DATA)	ORANGE (*TEDs DATA)
F	BLUE (-SENSE / *TEDs GROUND)	BLUE (*TEDs GROUND)
	SHIELD (FLOATING)	SHIELD (FLOATING)

* Wiring for sensor equipped with TEDs



SCIGATE
Your Automation Partner

SCIGATE AUTOMATION (S) PTE LTD
No. 1 Bukit Batok Street 22 #01-01 Singapore 659592
Tel: (65) 6561 0488 Fax: (65) 6562 0588
Email: sales@scigate.com.sg Web: www.scigate.com.sg
Business Hours: Monday - Friday 8.30am - 6.15pm

STRAIN RELIEF	ITEM #	LENGTH	CODE	CABLE	SPECIFICATIONS	
MOLDED	FSH01793	5 ft	CC1 CC1T	28 AWG, 6 CONDUCTOR BRAIDED SHIELDED POLYURETHANE	TEMP: -40° to 176°F [-40° to 80°C]	
	FSH00244	10 ft				IP RATING IP65
	FSH01757	15 ft				
	FSH01794	20 ft				
	FSH02434	30 ft				
FSH02327	10 ft	CC2 CC2T			DIAMETER: 0.165 [4.2] CABLE MINIMUM BEND RADIUS: 1.65 [41.9]	
FSH01795	30 ft					
FSH01796	50 ft					
FSH01886	100 ft					
FSH01800	5 ft					
FSH01801	10 ft					
FSH01802	15 ft					
FSH01803	20 ft					
FSH01804	30 ft					
FSH01806	50 ft					
FSH02186	100 ft					