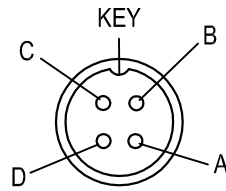


# FUTEK MODEL ZCC970

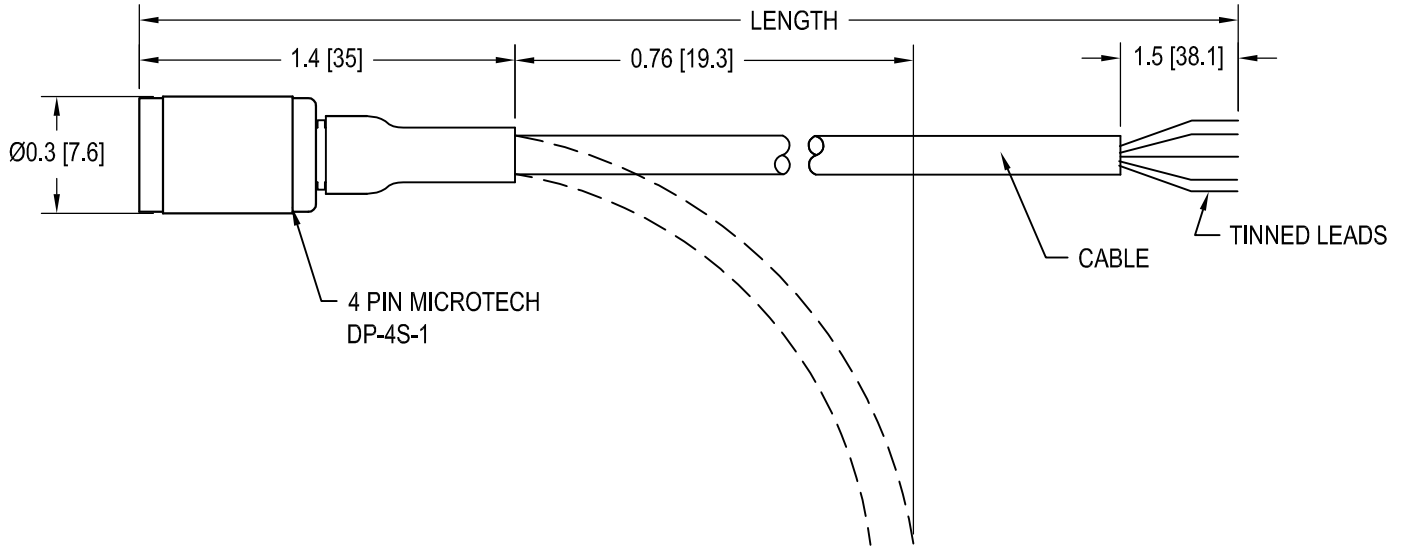
# 4 Pin Microtech To Cable Assembly FOR FUTEK MODELS LCM400/425, QLA186

Drawing Number: FI1110-B

INCH [mm]



FRONT VIEW



PIN	Wiring Code
A	RED (+EXCITATION)
B	BLACK (-EXCITATION)
C	GREEN (+SIGNAL)
D	WHITE (-SIGNAL)
	SHIELD (FLOATING)

**SCIGATE AUTOMATION (S) PTE LTD**  
 No.1 Bukit Batok Street 22 #01-01 Singapore 659592  
 Tel: (65) 6561 0488 Fax: (65) 6562 0588  
 Email: sales@scigate.com.sg Web: www.scigate.com.sg  
 Business Hours: Monday - Friday 8.30am - 6.15pm

ITEM #	LENGTH	CABLE	SPECIFICATIONS
FSH03558	5 ft	29 AWG, 4 CONDUCTOR BRAIDED SHIELDED TEFLON DIAMETER: 0.076 [1.9] CABLE MINIMUM BEND RADIUS: 0.76 [19]	TEMP: -40° to 176°F -40° to 80°C  IP RATING IP50
FSH03559	10 ft		
FSH03560	20 ft		
FSH03561	30 ft		
FSH03562	50 ft		
FSH03563	100 ft		