

FUTEK MODEL ZCC993

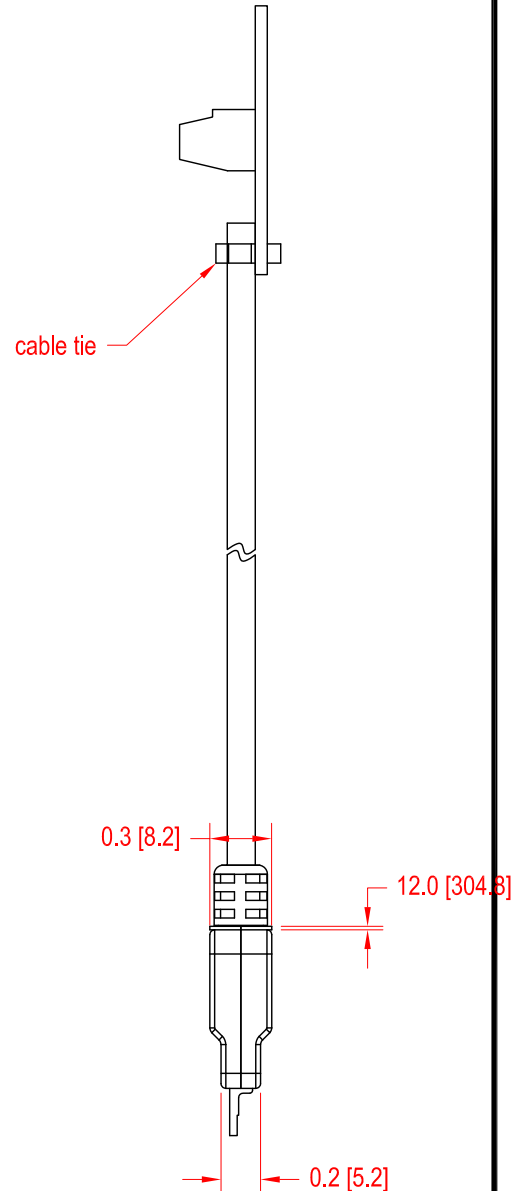
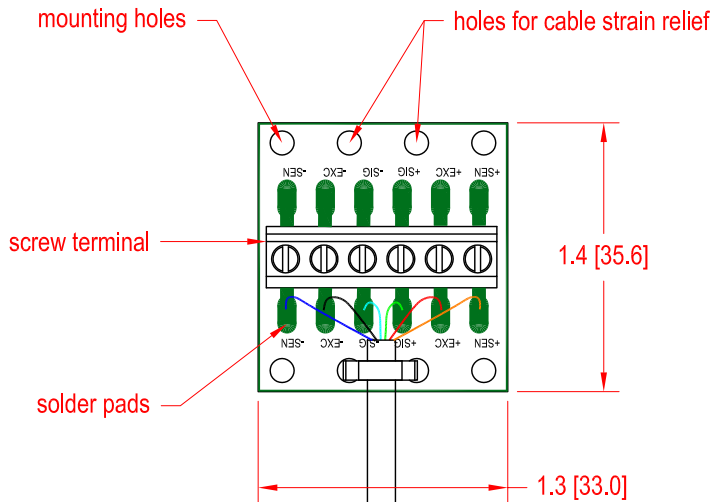
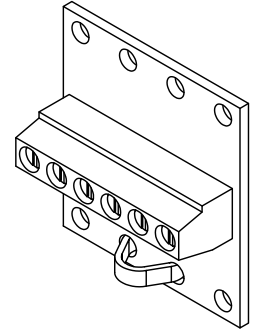
USB CONNECTOR BOARD

Drawing Number: FI1333-B

INCH [mm]

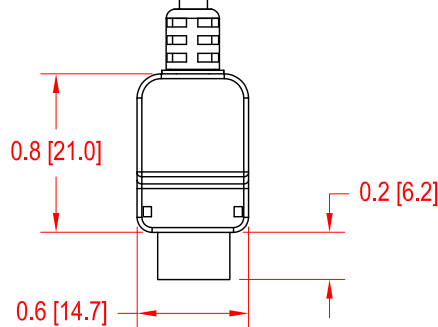
FEATURES:

- Screw Terminal
- Solder Pads
- Holes for Cable Strain Relief
- Mounting Provisions



| Solder Pad | Color |
|------------|---------|
| +EXC | Red |
| -EXC | Black |
| +SIG | Green |
| -SIG | White |
| +SEN / P1 | Orange* |
| -SEN / P2 | Blue* |

*For FSH03756



SCIGATE AUTOMATION (S) PTE LTD
 No.1 Bukit Batok Street 22 #01-01 Singapore 659592
 Tel: (65) 6561 0488 Fax: (65) 6562 0588
 Email: sales@scigate.com.sg Web: www.scigate.com.sg
 Business Hours: Monday - Friday 8.30am - 6.15pm