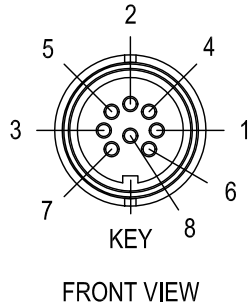


FUTEK MODEL ZCC995
ITEM #: FSH03670

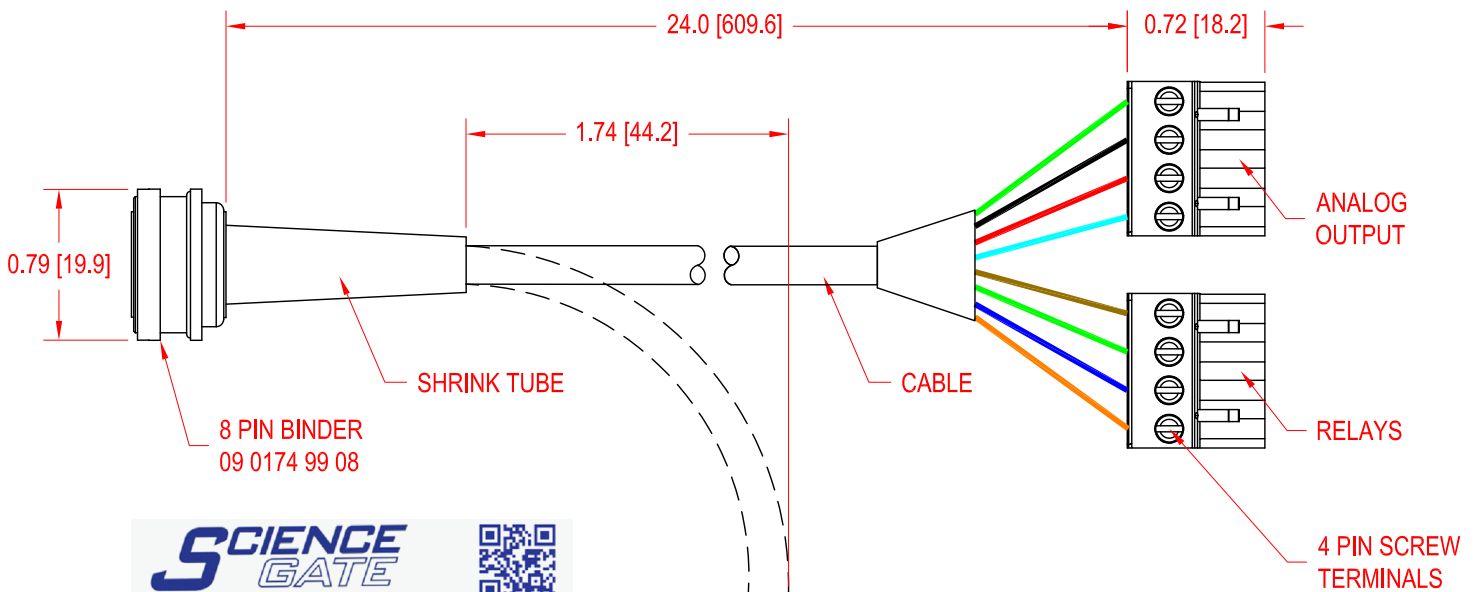
8 Pin Binder To 4 Pin Screw Terminal Cable Assembly
FOR FUTEK MODEL IPM650

Drawing Number: FI1344

INCH [mm]



PIN	WIRING CODE
1	+CURRENT OUTPUT (GREEN)
2	-VOLTAGE OUTPUT (WHITE)
3	+RELAY 1 (BROWN)
4	+VOLTAGE OUTPUT (RED)
5	+RELAY 2 (BLUE)
6	GROUND (BLACK)
7	-RELAY 1 (YELLOW)
8	-RELAY 2 (ORANGE)



SCIGATE
Your Automation Partner

SCIGATE AUTOMATION (S) PTE LTD
No.1 Bukit Batok Street 22 #01-01 Singapore 659592
Tel: (65) 6561 0488 Fax: (65) 6562 0588
Email: sales@scigate.com.sg Web: www.scigate.com.sg
Business Hours: Monday - Friday 8.30am - 6.15pm

MOUNTING CUTOUT	CABLE	SPECIFICATIONS
<p>Ø.709 [Ø18.0] 0.406 [10.3] 0.669 [17.0]</p> <p>PANEL THICKNESS: MIN. 0.039 [1.0] MAX. 0.157 [4.0]</p>	<p>30 AWG, 10 CONDUCTOR BRAIDED SHIELDED POLYURETHANE</p> <p>DIAMETER: 0.174 [4.4]</p> <p>CABLE MINIMUM BEND RADIUS: 1.74 [44.2]</p>	<p>TEMP: -40° to 176°F [-40° to 80°C]</p> <p>IP RATING IP67*</p>

* When mated with connector