

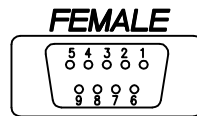
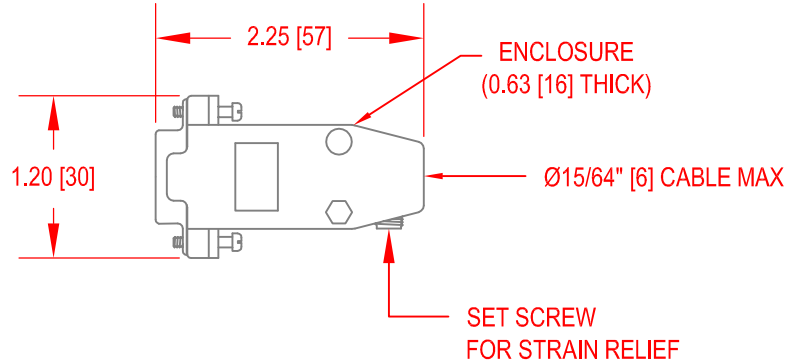
FUTEK MODEL ZC0921

Drawing Number: FI1390

INCH [mm]

DB9 FEMALE CONNECTOR W/ TEDS

PROGRAMMED & ATTACHED TO LOAD, TORQUE, OR PRESSURE SENSOR
FOR USE WITH NI 9237 RJ50 TO DB9 ADAPTOR



PIN#	6 CONDUCTOR
1	+SIGNAL (GREEN)
2	+EXC (RED)
3	+SENSE (ORANGE)
4	N/C
5	TEDS DATA
6	-SIGNAL (WHITE)
7	-EXC (BLACK)
8	-SENSE (BLUE)
9	TEDS GND

NOTE: FOR 4 WIRE SENSOR JUMP PIN 2 TO PIN 3 AND PIN 7 TO PIN 8



SCIGATE AUTOMATION (S) PTE LTD

No. 1 Bukit Batok Street 22 #01-01 Singapore 659592

Tel: (65) 6561 0488

Fax: (65) 6562 0588

Email: sales@scigate.com.sg

Web: www.scigate.com.sg

Business Hours: Monday - Friday 8.30am - 6.15pm



This drawing is submitted solely for the information and exclusive use of the original addressee. It is not to be divulged in whole or in part, by any firm or individual without written permission from FUTEK

10 THOMAS
IRVINE, CA 92618 USA
+1 (949) 465-0900

INTERNET:
<http://www.futek.com>