

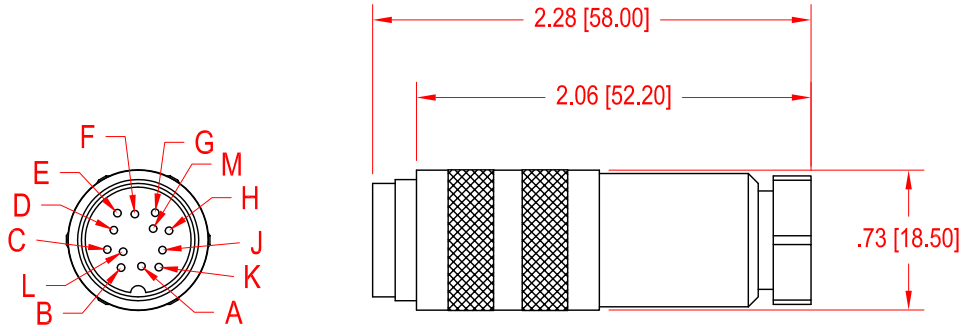
FUTEK MODEL ZCO930

Drawing Number: FI1345

INCH [mm]

# BINDER W/ TEDS

FOR CONNECTION WITH FUTEK MODEL IHH500



12 PIN BINDER MATING CONNECTOR  
99 5129 00 12

PIN	CODE	DESCRIPTION
A	+E	+EXCITATION
B	+S	+SIGNAL
C	-E	-EXCITATION/ TEDS RETURN
D	-S	-SIGNAL
E	TEDS_IO	TEDS DATA
F	24_OUT	24V OUTPUT
G	GND_OUT	GROUND
H	5_OUT	5V OUTPUT
J	-V	-V FROM SENSOR
K	+V	+V FROM SENSOR
L	LEADING PULSE	FROM SENSOR
M	LAGGING PULSE	FROM SENSOR



SCIGATE AUTOMATION (S) PTE LTD

No.1 Bukit Batok Street 22 #01-01 Singapore 659592

Tel: (65) 6561 0488

Fax: (65) 6562 0588

Email: sales@scigate.com.sg

Web: www.scigate.com.sg

Business Hours: Monday - Friday 8.30am - 6.15pm

**FUTEK**  
ADVANCED SENSOR TECHNOLOGY, INC.

This drawing is submitted solely for the information and exclusive use of the original addressee. It is not to be divulged in whole or in part, by any firm or individual without written permission from FUTEK

CAGE CODE # 1X8M6

10 THOMAS  
IRVINE, CA 92618 USA  
1-800-23-FUTEK (38835)

INTERNET:  
<http://www.futek.com>