


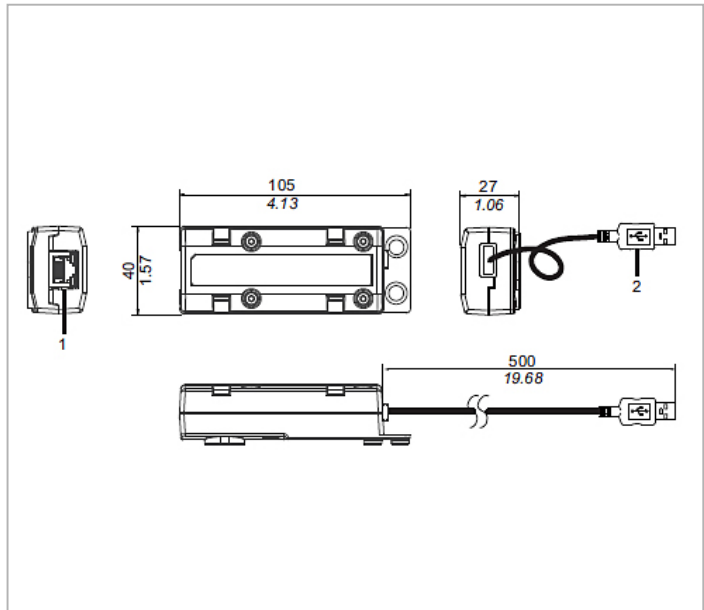
EZ LAN Adapter

■ Specifications

	
Model	PFXZCGEUUE1
Supported software	GP-Pro EX Ver. 4.08 or later
Rated input voltage	5 Vdc (powered from USB bus)
Input voltage limits	4.75 to 5.25 Vdc
Power consumption	0.63 W or less
Ambient air operating temperature	0 to 55 °C (32 to 131 °F)
Storage temperature	-20 to 60 °C (-4 to 140 °F)
Ambient air and storage humidity	10 to 90% RH (non condensing, wet bulb temperature 39 °C [102.2 °F] or less)
Dust	0.1 mg/m ³ (10 ⁻⁷ oz/ft ³) or less (non-conductive levels)
Pollution degree	For use in Pollution Degree 2 environment
Atmospheric pressure (Operating altitude)	800 to 1,114 hPa (2,000 m [6,561 ft] or lower)
Vibration resistance	IEC/EN 61131-2 compliant 5 to 9 Hz Single amplitude 3.5 mm (0.14 in) 9 to 150 Hz Fixed acceleration: 9.8 m/s ² X, Y, Z directions for 10 cycles (approximately 100 minutes)
Concussion resistance	IEC/EN 61131-2 compliant (147 m/s ² , X, Y, Z directions for 3 times)
Electrical fast transient/burst	IEC 61000-4-42 kV: Power port (display unit) 1 kV: Signal ports
Electrostatic discharge immunity	Contact Discharge Method: 6kV Air Discharge Method: 8kV (IEC/EN61000-4-2 Level 3)
External dimensions	W105×H40×D27mm (W4.13 x H1.57 x D1.06 in)
Cable length	0.5 m (1.64 ft) (including connections)
Weight	100 g (0.22 lb) or less

■ External Dimensions

mm (in.)



- * Extending the length of the USB cable can degrade (weaken) signals, causing the potential for errors. Do not extend the cable.
- * Use only the SELV (Safety Extra-Low Voltage) circuit to connect the USB and Ethernet interface.

