



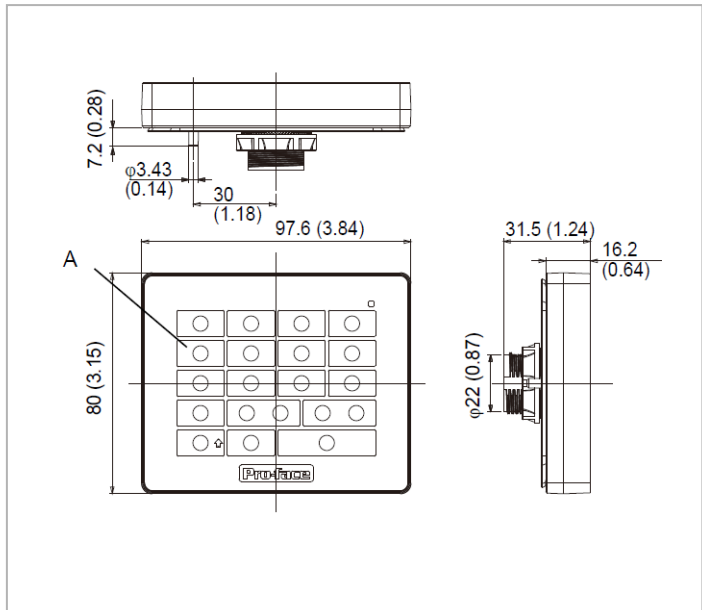
EZ Numpad

■ Specifications

	
Model	PFXZCCEUKB1
Supported software	GP-Pro EX Ver.3.6 or later
Rated input voltage	5Vdc (powered from USB bus)
Input voltage limits	4.75 to 5.25Vdc
Power consumption	0.75W or less
Operating temperature	0 to 55°C (32 to 131 °F)
Storage temperature	-20 to 60°C (-4 to 140 °F)
Surrounding air and storage humidity	10 to 90%RH (Non-condensing, wet bulb temperature 39°C [102.2 °F] or less)
Dust	0.1mg/m ³ (10-7 oz/ft ³) or less (non-conductive levels)
Pollution degree	For use in pollution degree 2 environment
Corrosive gasses	Free of corrosive gas
Operating altitude	2,000m (6,561ft) or lower
Vibration resistance	IEC/EN 61131-2 compliant 5 to 9Hz single amplitude 3.5mm (0.14 in.) 9 to 150Hz fixed acceleration: 9.8m/s ² X,Y,Z directions for 10 cycles (100 min.)
Concussion resistance	IEC/EN 61131-2 compliant (147m/s ² , X,Y,Z directions for 3 times)
Electrostatic fast transient burst	IEC61000-4-4 2kV power port (Display Unit) 1kV signal ports
Electrostatic discharge immunity	IEC61000-4-2 6kV contact discharge 8kV air discharge
External dimensions	W97.6×H80.0×D31.5mm (W3.84 x H3.15 x D1.24 in.)
Structure *1	IP65 UL50E TYPE 4X (Indoor use only) (on the front panel when properly installed in an enclosure)
Weight	150g (0.33 lb) or less
Supported standards and regulations	

■ External Dimensions

mm (in.)



*1. The front face of the unit, installed in a solid panel, has been tested using conditions equivalent to the standards shown in the specification. Even though the unit's level of resistance is equivalent to the UL50E TYPE 4X, oils that should have no effect on the unit can possibly harm the panel. This can occur in areas where either vaporized oils are present, or where low viscosity cutting oils are allowed to adhere to the panel for long periods of time. If the unit's front face protection sheet peels off, these conditions can lead to the ingress of oil into the unit and separate protection measures are suggested.

