



SP-5B41
Model: PFXSP5B41



SP-5B10
Model: PFXSP5B10



SP-5B00
Model: PFXSP5B00

SP5000 Series is a combined unit of Display Module and Box Module.
 The power consumption or weight for the combined unit equals each sum of power consumption or weight of the two modules.

Model Number Configuration

Display Module

PFXSP5 * * * * * D

(1) (2) (3) (4) (5)

(1) Size	(2) Wireless LAN	(3) Resolution	(4) Touch Panel	(5) Power Supply
8 19"	60 Yes	T TFT	C Projected Capacitive (5 points multi-touch)	D DC
7 15"	00 -	W Wide TFT	P Resistive Film (analog, 2 points multi-touch)	
6 12"			A Resistive Film (analog, single-touch)	
5 10"				
4 7"				

*Color selectable display modules are available. In addition to Silver, there are three optional colors, Black Beige Off-white
 Coated models are also available as a customized product.

✕

Box Module

PFXSP5B * *

(6) (7)

(6) Module Type	(7) Class
B Box	41 Open
	10 Power
	00 Standard

*Coated models are also available as a customized product.

SP-5B10 (Power Box) and SP-5B00 (Standard Box) are not compatible with SP-5660TP.

Electrical Specifications

		Open Box SP-5B41	Power Box SP-5B10	Standard Box SP-5B00
Rated Input Voltage		12 Vdc (Supply from Display Module)		
Power Consumption*13	Max	25 W	25 W	17.5 W
	When power is not supplied to external devices	15 W or less	12.5 W or less	8.8 W or less

*13 Power consumption for Box Module only

Environmental Specifications

	Open Box SP-5B41	Power Box SP-5B10	Standard Box SP-5B00
Surrounding Air Temperature	0...60 °C (32...140 °F)		
Storage Temperature	-20...60 °C (-4...140 °F)		
Surrounding Air and Storage Humidity	10%...90% RH (Non condensing, wet bulb temperature 39 °C [102.2 °F] or less)		
Dust	0.1 mg/m3 (10-7 oz/ft3) or less (non-conductive levels)		
Pollution Degree	For use in Pollution Degree 2 environment		
Corrosive Gases	Free of corrosive gases		
Atmospheric Pressure (Operating Altitude)	800...1,114 hPa (2,000 m [6,561 ft] or lower)		
Vibration Resistance	IEC/EN 61131-2 compliant 5...9 Hz Single amplitude 3.5 mm (0.14 in.) 9...150 Hz Fixed acceleration: 9.8 m/s2 X, Y, Z directions for 10 cycles (approx. 100 min.)		
Shock Resistance	IEC/EN 61131-2 compliant 147 m/s2, X, Y, Z directions for 3 times		
Electrical fast transient/burst	IEC 61000-4-4 2 kV: Power port (display unit) 1 kV: Signal ports		
Electrostatic Discharge Immunity	Contact discharge method: 6 kV Air discharge method: 8 kV (IEC/EN 61000-4-2 Level 3)		

Box Module

Memory

			Open Box	Power Box	Standard Box
			SP-5B41	SP-5B10	SP-5B00
Application memory	Media		CFast card	SD card	Flash EPROM
	Editor : GP-Pro EX	Screen area ^{*14}	64MB	64MB	
		User font area	No upper limit	8MB	
		Logic program area	-	132KB (Equivalent to 15,000 steps)	
		Free space	Approx. 17GB	-	
Removable system		Yes		No	
Backup memory	Editor : GP-Pro EX	Screen area	NVRAM 320KB or CFast/SD card (storage) 5MB	NVRAM 320KB	
		Variable area	NVRAM 64KB		
	Battery		- ^{*15}		

^{*14} Use the screen area when the user font area's capacity is exceeded - for example, when an image font or a picture font is used. (Except PFXSP5B41)

^{*15} SP5000 series can retain NVRAM (backup memory) and RTC (clock data) without any batteries. But, when no power is supplied for 100 days or more, it's necessary to additionally mount this option item to retain RTC (clock data).

Interface Specifications

	Open Box	Power Box	Standard Box
	SP-5B41	SP-5B10	SP-5B00
Serial Interface COM1	RS-232C/422/485, Data Length: 7 or 8 bits, Stop Bit: 1 or 2 bits Parity: None, odd, or even, Data Transmission Speed: 2,400 (1,200) to 115,200 bps Connector: D-Sub 9 pin (plug)		RS-232C, Data Length: 7 or 8 bits, Stop Bit: 1 or 2 bits, Parity: None, Even or Odd, Data Transmission Speed: 2,400 to 115,200 bps, Connector: D-Sub 9 (plug)
Serial Interface COM2	RS-232C/422/485, Data Length: 7 or 8 bits Stop Bit: 1 or 2 bits Parity: None, odd, or even Data Transmission Speed: 2,400(1,200)...115,200 bps Connector: D-Sub 9 pin (plug)	RS-232C/422/485, Data Length: 7 or 8 bits Stop Bit: 1 or 2 bits Parity: None, odd, or even Data Transmission Speed: 2,400(1,200)...115,200 bps, 187,500bps (MPI) Connector: D-Sub 9 pin (plug)	RS-422 / 485, Data Length: 7 or 8 bits, Stop Bit: 1 or 2 bits, Parity: None, Even or Odd, Data Transmission Speed: 2,400 to 115,200 bps, 187,500 bps (MPI), Connector: D- Sub 9 pin (plug)
USB (Type A) Interface ^{*16}	Connector: USB 2.0 (Type A) x 3 Power Supply Voltage: 5 Vdc ±5% Maximum Current Supplied: 500 mA /port, 1 A total for 3 ports Maximum Transmission Distance: 5 m	Connector: USB 2.0 (Type A) x 2 Power Supply Voltage: 5 Vdc ±5% Maximum Current Supplied: 500 mA / port Maximum Transmission Distance: 5 m	
USB (mini-B) Interface	Connector: USB 2.0 (mini-B) x 1, Maximum Transmission Distance: 5m (16.4 ft)		
Ethernet Interface	Standard: IEEE802.3i/IEEE802.3u/IEEE802.3ab, 10BASE-T/100BASE-TX/1000BASE-T Connector: Modular jack (RJ-45) x 2		IEEE802.3i / IEEE802.3u / IEEE802.3ab, 10BASE-T / 100BASE-TX Connector: Modular jack (RJ-45) x 2
SD Card Interface	SD Card Slot (Storage) x 1	SD Card Slot (System) x 1 SD Card Slot (Storage) x 1	SD Card Slot (Storage) x 1
CFast Card Interface	CFast Card Slot (System) x 1 CFast Card Slot (Storage) x 1	-	
Video Interface	DVI-D OUT Connector: DVI-D 24 pin (socket) x 1	-	
Sound Input Interface	Sound Input: MIC or LINE input (software switch) Connector: MINI-JACK Ø3.5 x 1	-	
Sound Output Interface	Speaker Output: 300 mW (Rated Load: 8 Ω, Frequency : 1kHz) LINE Output: Rated load: 10 kΩ or more Connector: 2-piece terminal block (AUX) x 1		-
AUX Input /Output Interface	Alarm Output / Buzzer Output Rated Voltage: 24 Vdc, Rated Current: 50 mA or less Connector: 2-piece terminal block x 1		-

^{*16} When using the Display Module with the Power Box, you can connect only one of each type of USB device, such as one USB flash drive, one transfer cable, or one bar code reader. If you connect multiple devices that are the same type, only the first device will work.

Structural Specifications

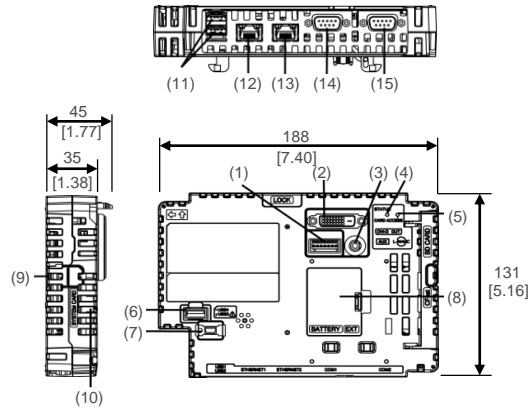
	Open Box	Power Box	Standard Box
	SP-5B41	SP-5B10	SP-5B00
Cooling Method	Natural air circulation		
External Dimensions ^{*17}	W188 x H131 x D35 mm (W7.4 x H5.16 x D1.77 in.)		
Weight ^{*17}	0.9 kg (1.98 lb) or less		

^{*17} External Dimensions and Weight for Box Module only

External Dimensions / Parts Identifications

SP-5B41

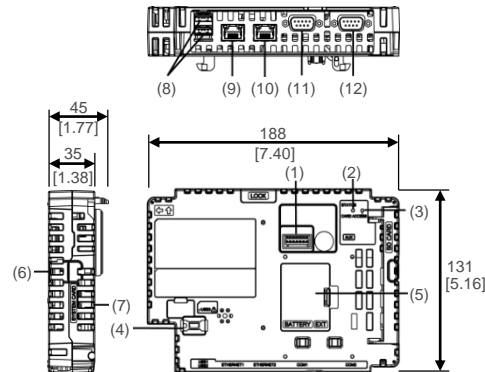
mm [in.]



- (1)Auxiliary Output/Speaker Output Interface (AUX) (2)DVI-D Output Interface (3)AUDIO Input Interface (LIN/MIC) (4)Status LED (5)Card Access LED (6)USB (Type A) Interface (7)USB (mini-B) Interface (8)Expansion Unit Interface Cover (EXT) (9)Storage Card Cover (10)System Card Cover (11)USB (Type A) Interface (12)Ethernet Interface (ETH1) (13)Ethernet Interface (ETH2) (14)Serial Interface (COM1) (15)Serial Interface (COM2)

SP-5B10

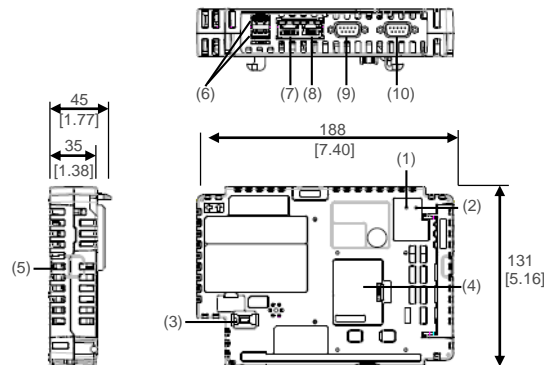
mm [in.]



- (1)Auxiliary Output/Speaker Output Interface (AUX) (2)Status LED (3)Card Access LED (4)USB (mini-B) Interface (5)Expansion Unit Interface Cover (EXT) (6)Storage Card Cover (7)System Card Cover (8)USB (Type A) Interface (9)Ethernet Interface (ETH1) (10)Ethernet Interface (ETH2) (11)Serial Interface (COM1) (12)Serial Interface (COM2)

SP-5B00

mm [in.]



- (1)Status LED (2)Card Access LED (3)USB (mini-B) Interface (4) Optional Battery (5)Storage Card Cover (6)USB (Type A) Interface (7)Ethernet Interface (ETH1) (8)Ethernet Interface (ETH2) (9)Serial Interface (COM1) (10)Serial Interface (COM2)