



SP-5800WC  
Model: PFXSP5800WCD



SP-5700WC  
Model: PFXSP5700WCD



SP-5700TP  
Model: PFXSP5700TPD



SP-5660TP  
Model: PFXSP5660TPD



SP-5600TP  
Model: PFXSP5600TPD



SP-5500TP  
Model: PFXSP5500TPD

SP5000 Series is a combined unit of Display Module and Box Module.  
 The power consumption or weight for the combined unit equals each sum of power consumption or weight of the two modules.

### Model Number Configuration

**Display Module**

PFXSP5 \* \* \* \* \* D  
 (1) (2) (3) (4) (5)

(1) Size	(2) Wireless LAN	(3) Resolution	(4) Touch Panel	(5) Power Supply
8 19"	60 Yes	T TFT	C Projected Capacitive (5 points multi-touch)	D DC
7 15"	00 -	W Wide TFT	P Resistive Film (analog, 2 points multi-touch)	
6 12"			A Resistive Film (analog, single-touch)	
5 10"				
4 7"				

\*Color selectable display modules are available. In addition to Silver, there are three optional colors  
 Coated models are also available as a customized product. (SP-5800WC and SP-5700WC excluded)

Black   
  Beige   
  Off-white

SP-5800WC, SP-5700WC are not compatible with SP-5B40 (End of Sale: Mar. 30, 2018).  
 SP-5660TP is not supported for SP-5B10 (Power BOX) and SP-5B00 (Standard Box).

**Box Module**

PFXSP5 B \* \*  
 (6) (7)

(6) Module Type	(7) Class
B Box	41 Open
	10 Power
	00 Standard

\*Coated models are also available as a customized product.

### Display Specifications

	Premium Display					
	SP-5800WC	SP-5700WC	SP-5700TP	SP-5660TP	SP-5600TP	SP-5500TP
Display Type	TFT color LCD					
Display Size	19" wide	15" wide	15"	12"		10"
Resolution	1,366 x 768 pixels (FWXGA)			1,024 x 768 pixels (XGA)		800 x 600 pixels (SVGA)
Auto Scaling	Yes					
Effective Display Area	W409.8 x H230.4mm (W16.13 x H9.07 in.)	W344.2 x H193.5mm (W13.55 x H7.62 in.)	W304.1 x H228.1mm (W11.97 x H8.98 in.)	W245.8 x H184.3mm (W9.68 x H7.26 in.)		W211.2 x H158.4mm (W8.31 x H6.24 in.)
Display Colors	16 million colors					
Backlight	White LED (Not user replaceable. When replacement is required, contact your local Pro-face distributor.)					
Backlight Service Life	50,000 hours or more (continuous operation at 25 °C [77 °F] before backlight brightness decreases to 50%)					
Brightness Control	0...100 (Adjusted with touch panel or software)					
Brightness Sensor	Yes					
Front USB Interface	Yes					
Touch Panel Type	Projected Capacitive (5 points multi-touch)			Resistive Film (analog, 2 points multi-touch)		
Touch Panel Resolution	2,048 x 2,048			1,024 x 1,024		
Touch Panel Service Life	50 million times or more			1 million times or more		

### Electrical Specifications

	Premium Display						
	SP-5800WC	SP-5700WC	SP-5700TP	SP-5660TP	SP-5600TP	SP-5500TP	
Rated Input Voltage	12...24 Vdc						
Input Voltage Limits	10.8...28.8 Vdc						
Voltage Drop	12 Vdc : 1.25 ms or less    24 Vdc : 5 ms or less						
Power Consumption *1	Max	19 W	17 W	22 W	23 W	21 W	15 W
	When power is not supplied to devices via front USB	16 W or less	14 W or less	19 W or less	20 W or less	18 W or less	12 W or less
	When screen turns off the backlight (Standby Mode)	8 W or less	6 W or less	6 W or less	8 W or less	6 W or less	6 W or less
	When screen backlight 20%	9 W or less	8 W or less	11 W or less	13 W or less	11 W or less	8 W or less
In-Rush Current	30 A or less						
Noise Immunity	Noise voltage: 1,000 Vp-p, pulse duration: 1 μs, rise time: 1 ns (via noise simulator)						
Voltage Endurance	1,000 Vac, 20 mA for 1 minute (between charging and FG terminals)						
Insulation Resistance	500 Vdc, 10 MΩ or more (between charging and FG terminals)						

\*1 Power Consumption for Display Module only.

# Display Module - Premium Display

## ■ Environmental Specification

	Premium Display					
	SP-5800WC	SP-5700WC	SP-5700TP	SP-5660TP	SP-5600TP	SP-5500TP
Surrounding Air Temperature	0...55 °C (32...131 °F)			0...60 °C (32...140 °F)		
Storage Temperature	-20...60 °C (-4...140 °F)					
Surrounding Air and Storage Humidity	10%...90% RH (Non condensing, wet bulb temperature 39 °C [102.2 °F] or less)					
Dust	0.1 mg/m3 (10-7 oz/ft3) or less (non-conductive levels)					
Pollution Degree	For use in Pollution Degree 2 environment					
Corrosive Gases	Free of corrosive gases					
Atmospheric Pressure (Operating Altitude)	800...1,114 hPa (2,000 m [6,561 ft] or lower)					
Vibration Resistance	IEC/EN 61131-2 compliant 5...9 Hz Single amplitude 3.5 mm (0.14 in.) 9...150 Hz Fixed acceleration: 9.8 m/s <sup>2</sup> X, Y, Z directions for 10 cycles (approx. 100 min.)					
Shock Resistance	IEC/EN 61131-2 compliant 147 m/s <sup>2</sup> , X, Y, Z directions for 3 times					
Electrical fast transient/burst	IEC 61000-4-4 2 kV: Power port (display unit) 1 kV: Signal ports					
Electrostatic Discharge Immunity	Contact Discharge Method: 6 kV (IEC/EN 61000-4-2 Level 3)					

## ■ Interface Specification

	Premium Display					
	SP-5800WC	SP-5700WC	SP-5700TP	SP-5660TP	SP-5600TP	SP-5500TP
Wireless LAN	-	-	-	Yes	-	-
USB (Type A) *2	Connector: USB 2.0 (Type A) x 1, Power Supply Voltage: 5 Vdc ±5 %, Maximum Current Supplied: 500 mA, Maximum Transmission Distance: 5 m (16.4 ft)					
USB (mini B)	Connector: USB 2.0 (mini B) x 1, Maximum Transmission Distance: 5 m (16.4 ft)					

\*2 When using the Display Module with the Power Box, you can connect only one of each type of USB device, such as one USB flash drive, one transfer cable, or one bar code reader. If you connect multiple devices that are the same type, only the first device will work.

## ■ Wireless LAN Specification (Only for SP-5660TP)\*3 \*4

Standards	IEEE802.11b/IEEE802.11g/IEEE802.11n					
Frequency Bandwidth	2.4 GHz					
Channel Bandwidth	20 MHz					
Channel	Access Point mode*5: 1...11ch Client mode*6: North America US: 1...11 ch, Japan JP: 1...13 ch, Europe EU: 1...13 ch, Korea KR: 1...13 ch, China CN: 1...13 ch, Taiwan TW: 1...11 ch					
Transmission Speed	IEEE802.11b : max 11Mbps, IEEE802.11g : max 54 Mbps, IEEE802.11n : max 72.2 Mbps					
Action Mode	Client mode/Access Point mode					
Communication Mode	Infrastructure					
Network Authentication	Open, WPA-Personal, WPA2-Personal					
Data Encryption	WEP (128 bit)(Open)*7, AUTO/TKIP (WPA-Personal), AES (WPA2-Personal)					
Maximum Client Connections	10					
Transmission Distance	You can connect only from the front of the display. The connection angle and distance depend on your operating environment, applications in use, and target communication devices. Conduct an operation test, including directivity, in the operating environment before use.					

\*3 Use Wireless LAN in a configuration with Open Box Module combined.

\*4 Do not use wireless communication for operation of device units. It's necessary to consider possibilities of communication interference.

\*5 In Access Point mode, IEEE802.11d is not supported.

\*6 If the surrounding access points do not support IEEE802.11d, channels are limited, from 1 to 11 ch.

\*7 In Access Point mode, WEP is not supported.

## ■ Structural Specification

	Premium Display					
	SP-5800WC	SP-5700WC	SP-5700TP	SP-5660TP	SP-5600TP	SP-5500TP
Grounding	Functional grounding: Grounding resistance of 100 Ω, 2 mm <sup>2</sup> (AWG 14) or thicker wire, or your country's applicable standard (same for FG and SG terminals).					
Cooling Method	Natural air circulation					
Structure *8	When using a factory-installed front USB cover: IP65F, IP67F. When using a front USB cover option (PFXZCDCVUS1): IP66F, IP67F, Type 4X (Indoor Use Only)/13 * The front face of this product when properly installed in an enclosure and not using the front panel USB port.					
External Dimensions	W483 x H337 x D69 mm (W19.02 x H13.27 x D2.72 in.)	W414 x H295 x D69 mm (W16.30 x H11.61 x D2.72 in.)	W397 x H296 x D67 mm (W15.6 x H11.7 x D2.64 in.)	W315 x H241 x D67 mm (W12.4 x H9.49 x D2.64 in.)	W272.5 x H214.5 x D67 mm (W10.73 x H8.44 x D2.64 in.)	W272.5 x H214.5 x D67 mm (W10.73 x H8.44 x D2.64 in.)
Panel Cut Dimensions *9	W465 x H319 mm (W18.31 x H12.56 in.)	W396 x H277 mm (W15.59 x H10.91 in.)	W383.5 x H282.5mm (W15.1 x H11.12 in.)	W301.5 x H227.5 mm (W11.87 x H8.96 in.)	W259 x H201 mm (W10.2 x H7.91 in.)	W259 x H201 mm (W10.2 x H7.91 in.)
Weight *10	6.8 kg (15.0 lb) or less	5 kg (11.0 lb) or less	4.5 kg (9.9 lb) or less	3.2 kg (7.1 lb) or less	2.7 kg (5.9 lb) or less	2.7 kg (5.9 lb) or less

\*8 The front face of this product, installed in a solid panel, has been tested using conditions equivalent to the standards shown in the specification.

\*9 For dimensional tolerance, everything +1/-0mm (+0.04/-0 in.) and R in angle are below R3 (R0.12 in.)

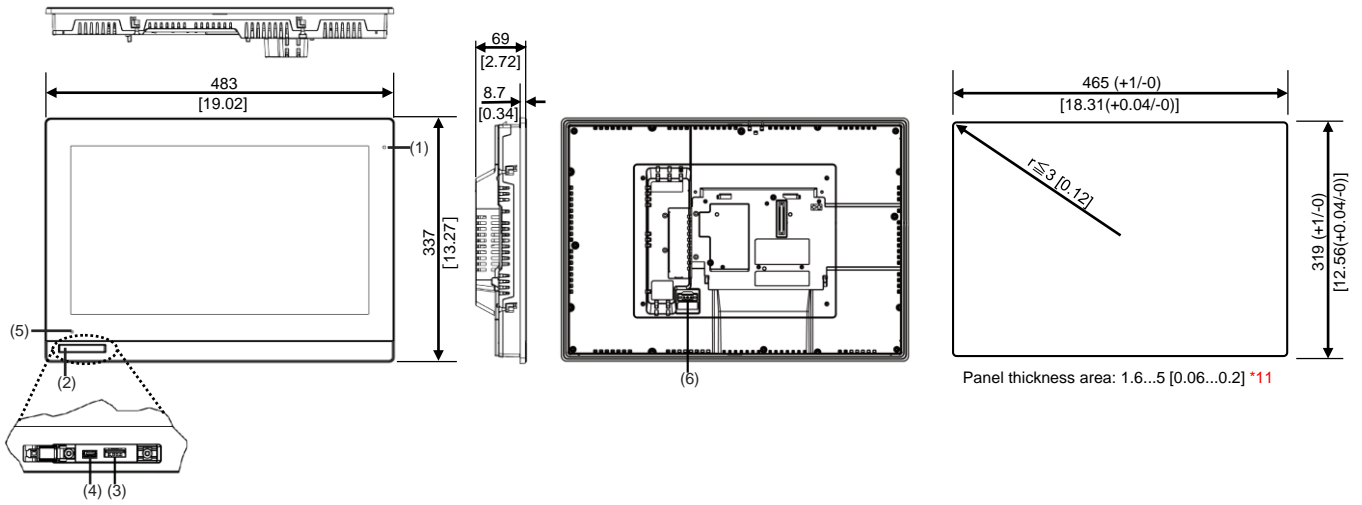
\*10 Weight for Display Module only

# Display Module - Premium Display

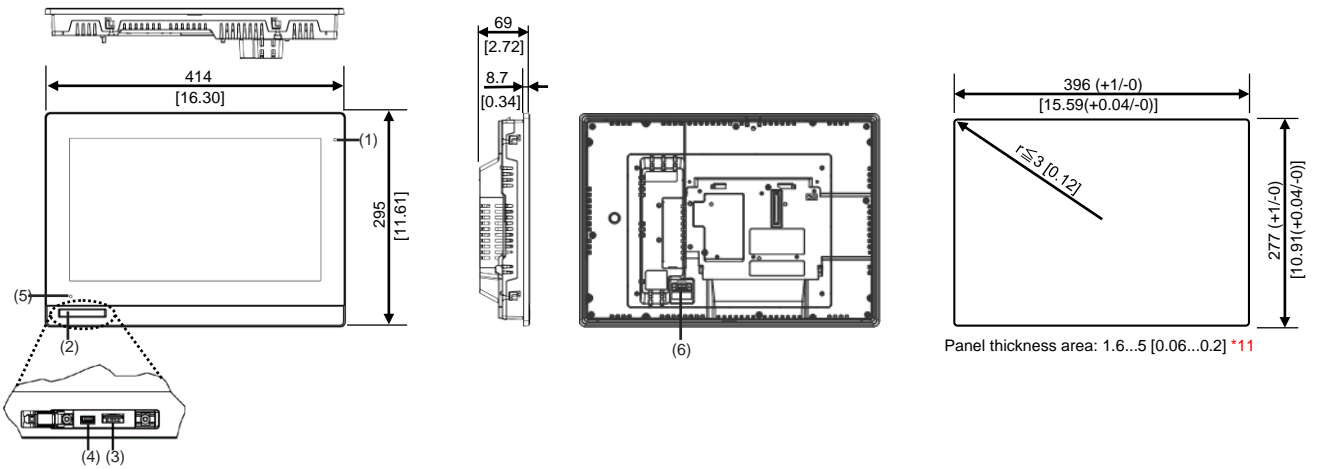
## External Dimensions / Parts Identification / Panel Cut Dimensions

### SP-5800WC

mm [in.]



### SP-5700WC



(1)Brightness Sensor (2)Front USB Cover (3)USB (Type A) Interface (4)USB (mini B) Interface (5)Status LED (6)Power Supply Connector

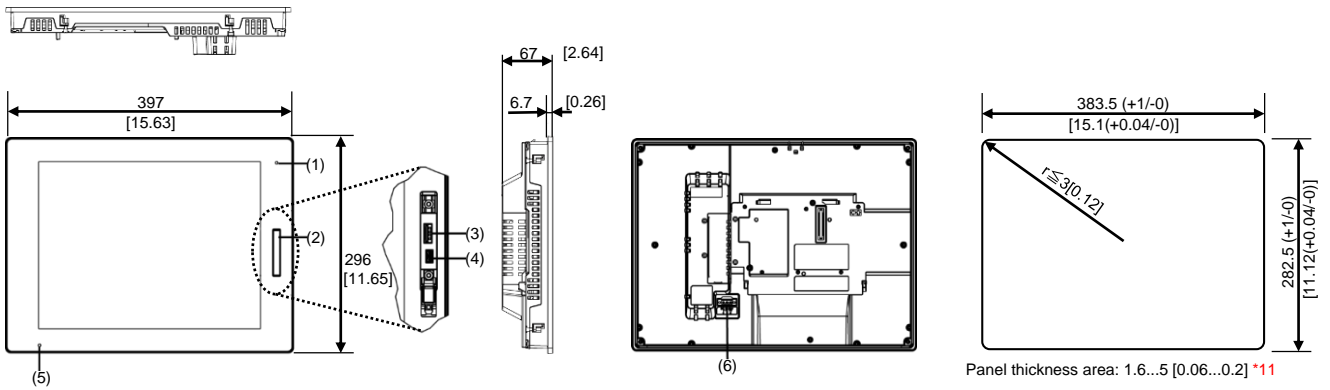
\*11 Even if the installation wall thickness is within the recommended range for the "Panel Cut Dimensions", depending on wall's material, size, and installation location of this product and other devices, the installation wall could warp. To prevent warping, the installation surface may need to be strengthened.

# Display Module - Premium Display

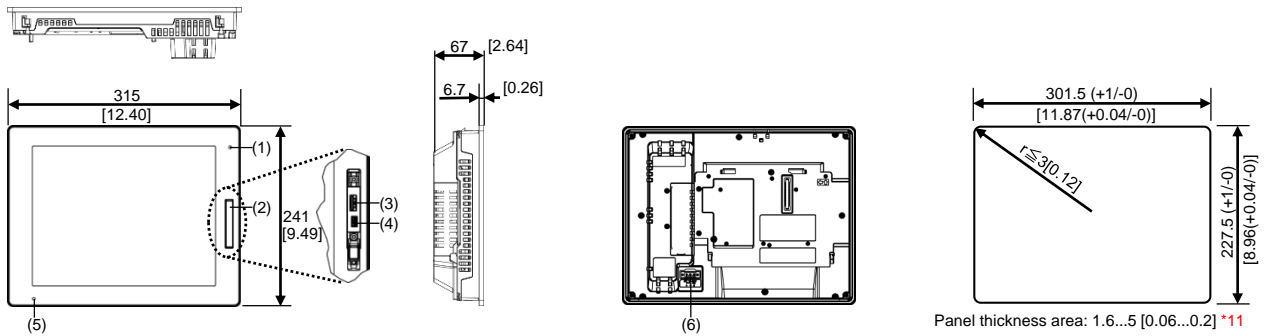
## External Dimensions / Parts Identification / Panel Cut Dimensions

### SP-5700TP

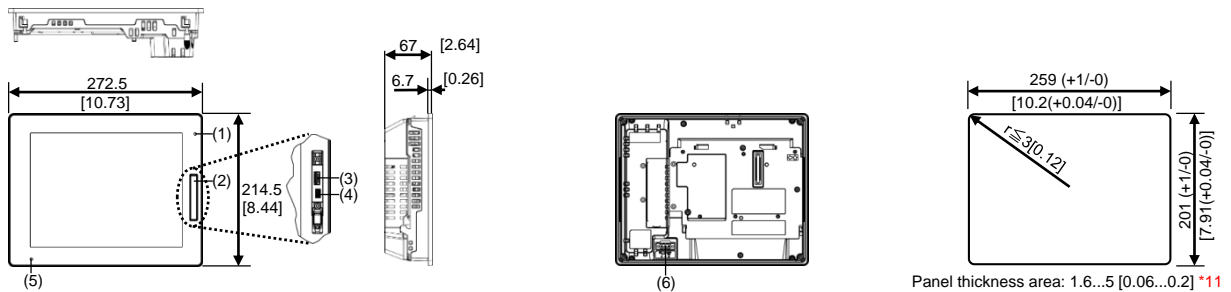
mm [in.]



### SP-5660TP / SP-5600TP



### SP-5500TP



(1)Brightness Sensor (2)Front USB Cover (3)USB (Type A) Interface (4)USB (mini-B) Interface (5)Status LED (6)Power Supply Connector

\*12 Even if the installation wall thickness is within the recommended range for the "Panel Cut Dimensions", depending on wall's material, size, and installation location of this product and other devices, the installation wall could warp. To prevent warping, the installation surface may need to be strengthened.

# Display Module - Advanced Display



**SP-5600TA**  
Model: PFXSP5600TAD



**SP-5600WA**  
Model: PFXSP5600WAD



**SP-5500WA**  
Model: PFXSP5500WAD



**SP-5400WA**  
Model: PFXSP5400WAD

SP5000 Series is a combined unit of Display Module and Box Module.

The power consumption or weight for the combined unit equals each sum of power consumption or weight of the two modules.

## Model Number Configuration

**Display Module**

PFXSP5 \* \* \* \* \* D  
(1) (2) (3) (4) (5)

(1) Size	(2) Wireless LAN	(3) Resolution	(4) Touch Panel		(5) Power Supply
8 19"	60 Yes	T TFT	C	Projected Capacitive (5 points multi-touch)	D DC
7 15"	00 -	W Wide TFT	P	Resistive Film (analog, 2 points multi-touch)	
6 12"			A	Resistive Film (analog, single-touch)	
5 10"					
4 7"					

\*Color-selectable display modules are available. In addition to Silver, there are three optional colors. Coated models are also available as a customized product.

X

SP-5600TA are not compatible with SP-5B40 (End of Sale: Mar. 30, 2018).

---

**Box Module**

PFXSP5 B \* \*  
(6) (7)

(6) Module Type	(7) Class
B Box	41 Open
	10 Power
	00 Standard

\*Coated models are also available as a customized product.

## Display Specifications

	Advanced Display			
	SP-5600TA	SP-5600WA	SP-5500WA	SP-5400WA
Display Type	TFT color LCD			
Display Size	12.1"	12" wide	10" wide	7" wide
Resolution	1,024 x 768 pixels (XGA)	1,280 x 800 pixels (WXGA)	1,280 x 800 pixels (WXGA)	800 x 480 pixels (WVGA)
Auto Scaling	-			
Effective Display Area	W245.8 x H184.3 mm (W9.68 x H7.26 in.)	W261.1 x H163.2 mm (W10.28 x H6.43 in.)	W217.0 x H135.6 mm (W8.54 x H5.34 in.)	W154.1 x H95.9 mm (W6.06 x H3.78 in.)
Display Colors	262,144 colors			
Backlight	White LED (Not user replaceable. When replacement is required, contact your local Pro-face distributor.)			
Backlight Service Life	50,000 hours or more (continuous operation at 25 °C [77 °F] before backlight brightness decreases to 50%)			
Brightness Control	0...100 (Adjusted with touch panel or software)			
Brightness Sensor	-			
Front USB Interface	-			
Touch Panel Type	Resistive Film (analog)			
Touch Panel Resolution	1,024 x 1,024			
Touch Panel Service Life	1 million times or more			

## Electrical Specifications

	Advanced Display				
	SP-5600TA	SP-5600WA	SP-5500WA	SP-5400WA	
Rated Input Voltage	12...24 Vdc				
Input Voltage Limits	10.8...28.8 Vdc				
Voltage Drop	12 Vdc: 1.25 ms or less    24 Vdc: 5 ms or less				
Power Consumption *1	Max	10.0 W	11.5 W	8.5 W	
	When power is not supplied to devices via front USB	-			
	When screen turns off the backlight (Standby Mode)	2.5 W or less		2 W or less	
	When screen backlight 20%	5.7 W or less	6 W or less	5 W or less	4 W or less
In-Rush Current	30 A or less				
Noise Immunity	Noise voltage: 1,000 Vp-p, pulse duration: 1 μs, rise time: 1 ns (via noise simulator)				
Voltage Endurance	1,000 Vac, 20 mA for 1 minute (between charging and FG terminals)				
Insulation Resistance	500 Vdc, 10 MΩ or more (between charging and FG terminals)				

\*1 Power Consumption for Display Module only.

# Display Module - Advanced Display

## ■ Environmental Specification

	Advanced Display			
	SP-5600TA	SP-5600WA	SP-5500WA	SP-5400WA
Surrounding Air Temperature	0...60 °C (32...140 °F)			
Storage Temperature	-20...60 °C (-4...140 °F)			
Surrounding Air and Storage Humidity	10%...90% RH (Non condensing, wet bulb temperature 39 °C [102.2 °F] or less)			
Dust	0.1 mg/m3 (10-7 oz/ft3) or less (non-conductive levels)			
Pollution Degree	For use in Pollution Degree 2 environment			
Corrosive Gases	Free of corrosive gases			
Atmospheric Pressure (Operating Altitude)	800...1,114 hPa (2,000 m [6,561 ft] or lower)			
Vibration Resistance	IEC/EN 61131-2 compliant 5...9 Hz Single amplitude 3.5 mm (0.14 in.) 9...150 Hz Fixed acceleration: 9.8 m/s2 X, Y, Z directions for 10 cycles (approx. 100 min.)			
Shock Resistance	IEC/EN 61131-2 compliant 147 m/s2, X, Y, Z directions for 3 times			
Electrical fast transient/burst	IEC 61000-4-4 2 kV: Power port (display unit) 1 kV: Signal ports			
Electrostatic Discharge Immunity	Contact discharge method: 6 kV Air discharge method: 8 kV (IEC/EN 61000-4-2 Level 3)			

## ■ Interface Specification

	Advanced Display			
	SP-5600TA	SP-5600WA	SP-5500WA	SP-5400WA
Wireless LAN	-			
USB (Type A)	-			
USB (mini B)	-			

## ■ Structural Specification

	Advanced Display			
	SP-5600TA	SP-5600WA	SP-5500WA	SP-5400WA
Grounding	Functional grounding: Grounding resistance of 100 Ω, 2 mm2 (AWG 14) or thicker wire, or your country's applicable standard (same for FG and SG terminals).			
Cooling Method	Natural air circulation			
Structure *8	IP66F, IP67F, TYPE 4X (Indoor Use Only)/13 * on the front panel when properly installed in an enclosure.			
External Dimensions	W315 x H241 x D67 mm (W12.4 x H9.49 x D2.64 in.)	W308.5 x H230.5 x D67 mm (W12.15 x H9.07 x D2.64 in.)	W268.5 x H198.5 x D67 mm (W10.57 x H7.81 x D2.64 in.)	W203.6 x H148.6 x D36 mm (W8.02 x H5.85 x D1.42 in.)*12
Panel Cut Dimensions *9	W301.5 x H227.5 mm (W11.87 x H8.96 in.)	W295 x H217 mm (W11.61 x H8.54 in.)	W255 x H185 mm (W10.04 x H7.28 in.)	W190 x H135 mm (W7.48 x H5.31 in.)
Weight *10	3.2 kg (7.1 lb) or less	3 kg (6.6 lb) or less	2.5 kg (5.5 lb) or less	1.2 kg (2.6 lb) or less

\*8 The front face of this product, installed in a solid panel, has been tested using conditions equivalent to the standards shown in the specification.

\*9 For dimensional tolerance, everything +1/-0 mm (+0.04/-0 in.) and R in angle are below R3 (R0.12 in.)

\*10 Weight for Display Module only

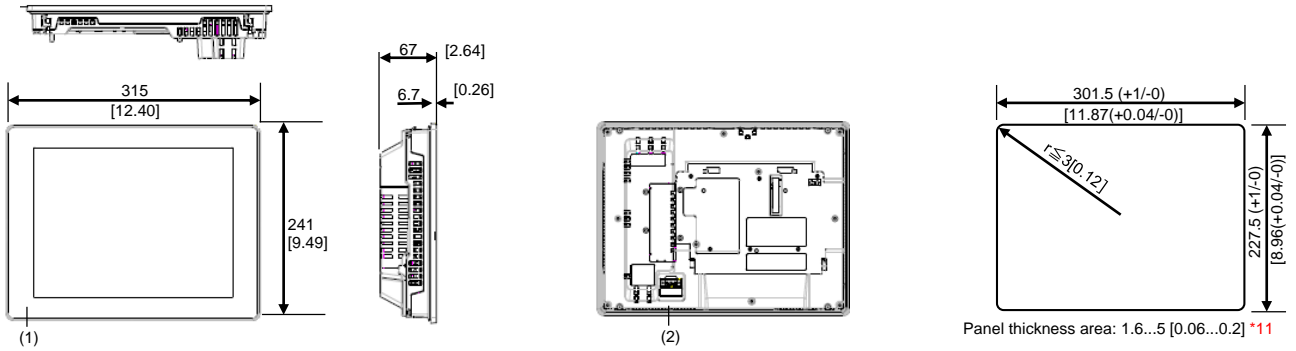
\*12 When combined with Box Module, the depth is 67 mm (2.64 in.).

# Display Module - Advanced Display

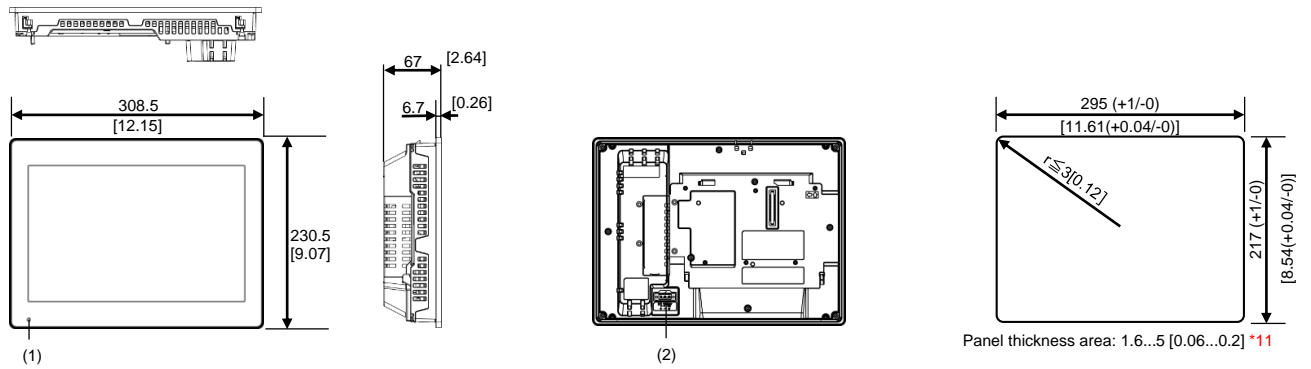
## External Dimensions / Parts Identification / Panel Cut Dimensions

SP-5600TA

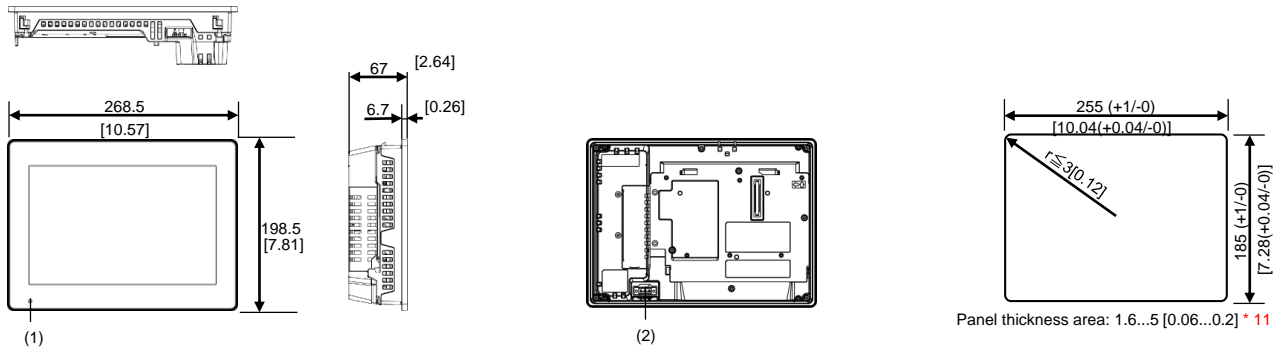
mm [in.]



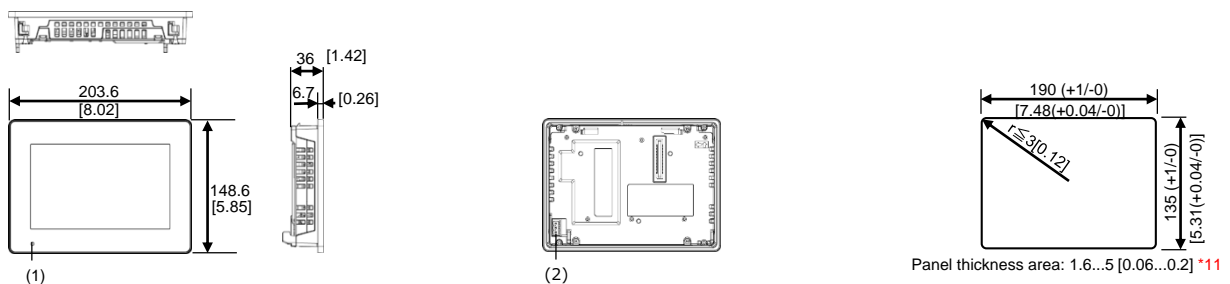
SP-5600WA



SP-5500WA



SP-5400WA



(1)Status LED (2)Power Supply Connector

\*11 Even if the installation wall thickness is within the recommended range for the "Panel Cut Dimensions", depending on wall's material, size, and installation location of this product and other devices, the installation wall could warp. To prevent warping, the installation surface may need to be strengthened.