

ST6000 Series



ST-6700WA
Model: PFXST6700WAD



ST-6600WA
Model: PFXST6600WAD



ST-6500WA
Model: PFXST6500WAD



ST-6400WA
Model: PFXST6400WAD



ST-6200WA
Model: PFXST6200WAD

Model Number Configuration

Display Module

PFXST6 * * * * * D
(1) (2) (3) (4) (5)

(1) Size	(2) Type	(3) Resolution	(4) Touch Panel	(5) Power Supply
7 15"	00 Reserved	W Wide TFT	A Analog	D DC
6 12"				
5 10"				
4 7"				
2 4"				

Display Specifications

	ST-6700WA	ST-6600WA	ST-6500WA	ST-6400WA	ST-6200WA
Display Type	TFT Color LCD				
Display Size	15.6" wide	12.1" wide	10.1" wide	7.0" wide	4.3" wide
Resolution	1,366 x 768 pixels (FWXGA)	1,280 x 800 pixels (WXGA)	1,024 x 600 pixels (WSVGA)	800 x 480 pixels (WVGA)	480 x 272 pixels
Effective Display Area	344.23 x 193.54 mm (13.55 x 7.62 in)	261.12 x 163.2 mm (10.28 x 6.43 in)	222.72 x 125.28 mm (8.77 x 4.93 in)	154.08 x 85.92 mm (6.07 x 3.38 in)	95.04 x 53.86 mm (3.74 x 2.12 in)
Display Colors	16 million colors For details about display colors, refer to the manual of your screen editing software.				
Backlight	White LED (Not user replaceable. When replacement is required, contact customer support.)				
Backlight Service Life	50,000 hours or more (continuous operation at 25 °C [77 °F] before backlight brightness decreases to 25%)				
Brightness Control	16 levels (Adjusted with touch panel or software)				
Touch Panel Type	Resistive film (analog, single touch)				
Touch Panel Resolution	1,024 x 1,024				
Touch Panel lifetime	1,000,000 times or more				

Electrical Specifications

	ST-6700WA	ST-6600WA	ST-6500WA	ST-6400WA	ST-6200WA
Rated Input Voltage	24 Vdc				
Input Voltage Limits	19.2 to 28.8 Vdc				
Voltage Drop	10 ms or less			5 ms or less	2 ms or less
Max	18.5 W	18.4 W	12.6 W	9 W	6.9 W
When power is not supplied to external devices	15 W or less		9.6 W or less	5.5 W or less	3.6 W or less
When screen turns off the backlight (Standby Mode)	5.4 W or less	5.9 W or less	4.6 W or less	3.6 W or less	2.8 W or less
In-Rush Current	30 A or less				
Noise immunity	Noise voltage: 1,000 Vp-p, pulse duration: 1 µs, rise time: 1 ns (via noise simulator)				
Voltage Endurance	1,000 Vac, 20 mA for 1 minute (between charging and FG terminals)				
Insulation Resistance	500 Vdc, 10 MΩ or more				

ST6000 Series

■ Environmental Specification

	ST-6700WA	ST-6600WA	ST-6500WA	ST-6400WA	ST-6200WA
Ambient air temperature	0 to 50 °C (32 to 122 °F)				
Storage Temperature	-20 to 60 °C (-4 to 140 °F)				
Ambient air and storage humidity	10%...90% RH (Non condensing, wet bulb temperature 39 °C [102.2 °F] or less)				
Dust	0.1 mg/m3 (10-7 oz/ft3) or less (non-conductive levels)				
Pollution Degree	For use in Pollution Degree 2 environment				
Corrosive Gases	Free of corrosive gases				
Air pressure (altitude range)	800 to 1,114 hPa (2,000 m [6,561 ft.] above sea level or less)				
Vibration Resistance	IEC/EN 61131-2 compliant 5 to 9 Hz single amplitude 3.5 mm [0.14 in.] 9 to 150 Hz fixed acceleration: 9.8 m/s ² X, Y, Z directions for 10 cycles (approx. 100 min.)				
Shock Resistance	IEC/EN 61131-2 compliant 147 m/s ² , X, Y, Z directions for 3 times				
Electrical fast transient/burst	IEC 61000-4-4 2 kV: Power port (display unit) 1 kV: Signal ports				
Electrostatic Discharge Immunity	Contact Discharge Method: 6 kV Air Discharge Method: 8 kV (IEC/EN61000-4-2 Level 3)				

■ Interface Specification

	ST-6700WA	ST-6600WA	ST-6500WA	ST-6400WA	ST-6200WA
Serial (COM1)	Asynchronous Transmission: RS-232C, Data Length: 7 or 8 bits, Stop Bit: 1 or 2 bits, Parity: None, Even or Odd, Data Transmission Speed: 2,400 to 115,200 bps, Connector: D-Sub 9 (plug)				Asynchronous Transmission: RS-232C/422/485, Data Length: 7 or 8 bits, Stop Bit: 1 or 2 bits, Parity: None, Even or Odd, Data Transmission Speed: 2,400 to 115,200 bps, Connector: D-Sub 9 (plug)
Serial (COM2)	Asynchronous Transmission: RS-422/485, Data Length: 7 or 8 bits, Stop Bit: 1 or 2 bits, Parity: None, Even or Odd, Data Transmission Speed: 2,400 to 115,200 bps, Connector: D-Sub 9 (plug)				-
USB (Type A)	Conforms to USB 2.0 (Type A) x 1 Power supply voltage: 5 Vdc ±5 % Output Current: 500 mA/port Maximum transmission distance : 5 m [16.4 ft.]				
USB (micro-B)	Conforms to USB 2.0 (micro-B) x 1, Maximum transmission distance : 5 m [16.4 ft]				
Ethernet	IEEE802.3i/IEEE802.3u, 10BASE-T/100BASE-TX, Connector: Modular jack (RJ-45) x 2				IEEE802.3i/IEEE802.3u, 10BASE-T/100BASE-TX, Connector: Modular jack (RJ-45) x 1

■ Structural Specification

	ST-6700WA	ST-6600WA	ST-6500WA	ST-6400WA	ST-6200WA
Grounding	Functional grounding: Grounding resistance of 100 Ω, 2 mm ² (AWG 14) or thicker wire, or your country's applicable standard.				
Cooling Method	Natural air circulation				
Structure	IP65F, Type 1, Type 4X (indoor use only), Type 13 (on the front panel when properly installed in an enclosure)				
External Dimensions	412 x 268 x 50 mm (16.22 x 10.55 x 1.97 in)	313 x 235 x 50 mm (12.32 x 9.25 x 1.97 in)	273 x 203 x 47 mm (10.75 x 7.99 x 1.85 in)	208 x 153 x 45 mm (8.19 x 6.02 x 1.77 in)	134.5 x 108.5 x 43 mm (5.3 x 4.27 x 1.69 in)
Panel Cut Dimensions	394 x 250 mm (15.51 x 9.84 in)* ¹ Panel thickness area: 1.6...5 mm (0.06...0.2 in)* ²	295 x 217 mm (11.61 x 8.54 in)* ¹ Panel thickness area: 1.6...5 mm (0.06...0.2 in)* ²	255 x 185 mm (10.04 x 7.28 in)* ¹ Panel thickness area: 1.6...5 mm (0.06...0.2 in)* ²	190 x 135 mm (7.48 x 5.31 in)* ¹ Panel thickness area: 1.6 to 5 mm(0.06 to 0.2 in)* ²	118.5 x 92.5 mm (4.67 x 3.64 in)* ¹ Panel thickness area* ² : 1.6 to 5 mm (0.06 to 0.2 in) When using spring clips: Position 1: 1.5 to 4 mm (0.06 to 0.16 in) Position 2: 4 to 6 mm (0.16 to 0.24 in)
Weight	2.7 kg (5.95 lb) or less	1.8 kg (3.97 lb) or less	1.3 kg (2.87 lb) or less	0.8 kg (1.76 lb) or less	0.4 kg (0.88 lb) or less

*¹ For dimensional tolerance, everything +1/-0 mm (+0.04/-0 in) and R in angle are below R3 (R0.12 in)

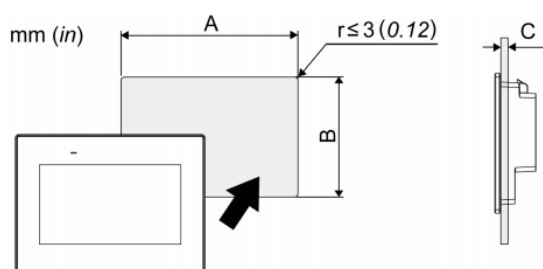
*² Even if the installation wall thickness is within the recommended range for the "Panel Cut Dimensions", depending on wall's material, size, and installation location of this product and other...

■ Memory

		ST-6700WA	ST-6600WA	ST-6500WA	ST-6400WA	ST-6200WA
Application Memory	Editor : BLUE	FLASH EPROM				
	Removable system	128MB				
Backup Memory	Editor : BLUE	NVRAM 500KB				
	Battery	Replaceable battery / Primary battery for clock data backup				

■ Panel Cut Dimensions

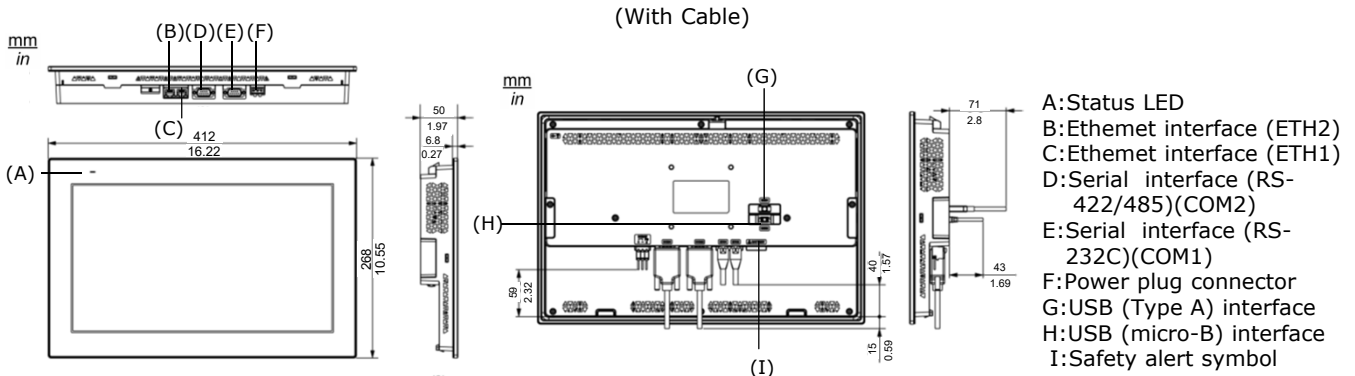
Based on the panel cut dimensions, open a mount hole on the panel.



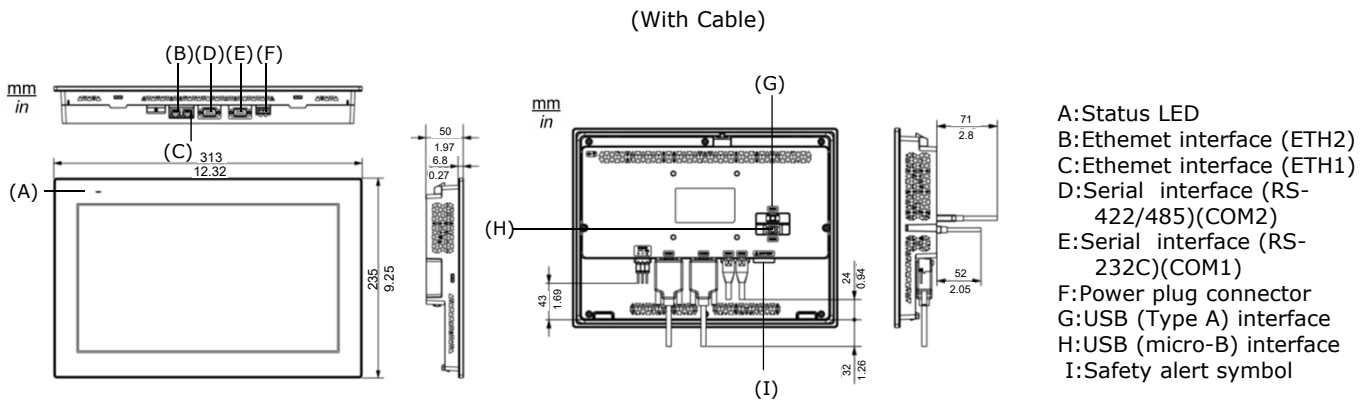
Model name	A	B	C
ST-6700WA	394 mm (+1/-0 mm) (15.51 in [+0.04/-0 in])	250 mm (+1/-0 mm) (9.84 in [+0.04/-0 in])	1.6...5mm (0.06..0.2 in)
ST-6600WA	295 mm (+1/-0 mm) (11.61 in [+0.04/-0 in])	217 mm (+1/-0 mm) (8.54 in [+0.04/-0 in])	When installing ST-6200WA with spring clips: Position 1: 1.5...4 mm (0.06..0.16 in) Position 2: 4...6 mm (0.06..0.24 in) NOTE: For the position, refer to the installation Procedure (ST-6200WA) (see manual page 65)
ST-6500WA	255 mm (+1/-0 mm) (10.04 in [+0.04/-0 in])	185 mm (+1/-0 mm) (7.28 in [+0.04/-0 in])	
ST-6400WA	190 mm (+1/-0 mm) (7.48 in [+0.04/-0 in])	135 mm (+1/-0 mm) (5.31 in [+0.04/-0 in])	
ST-6200WA	118.5 mm (+1/-0 mm) (4.67 in [+0.04/-0 in])	92.5 mm (+1/-0 mm) (3.64 in [+0.04/-0 in])	

External Dimensions / Parts Identification

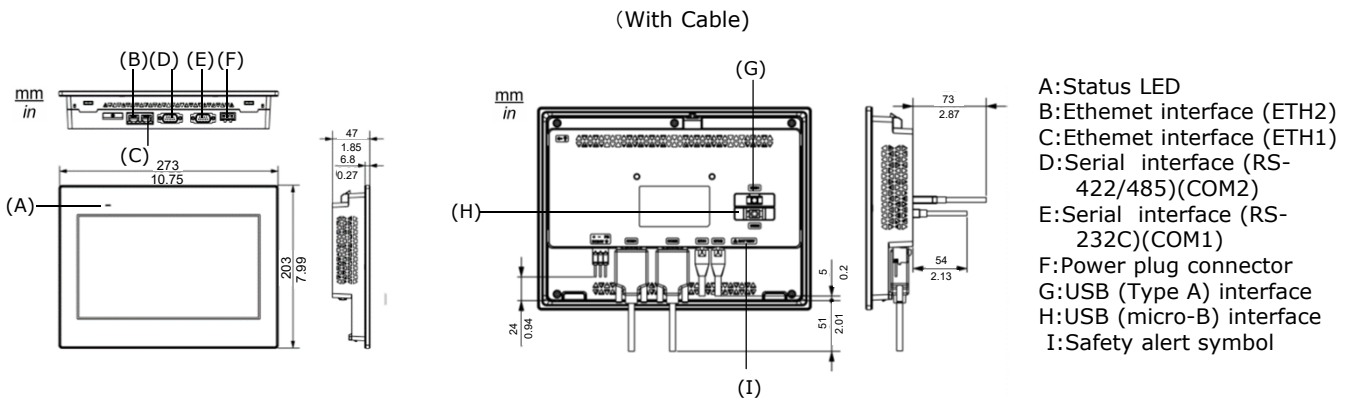
ST-6700WA



ST-6600WA



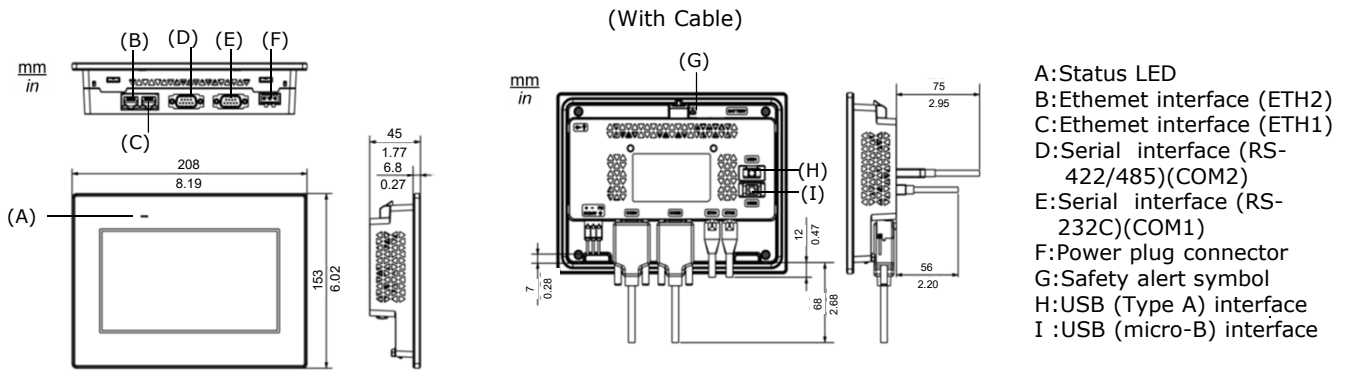
ST-6500WA



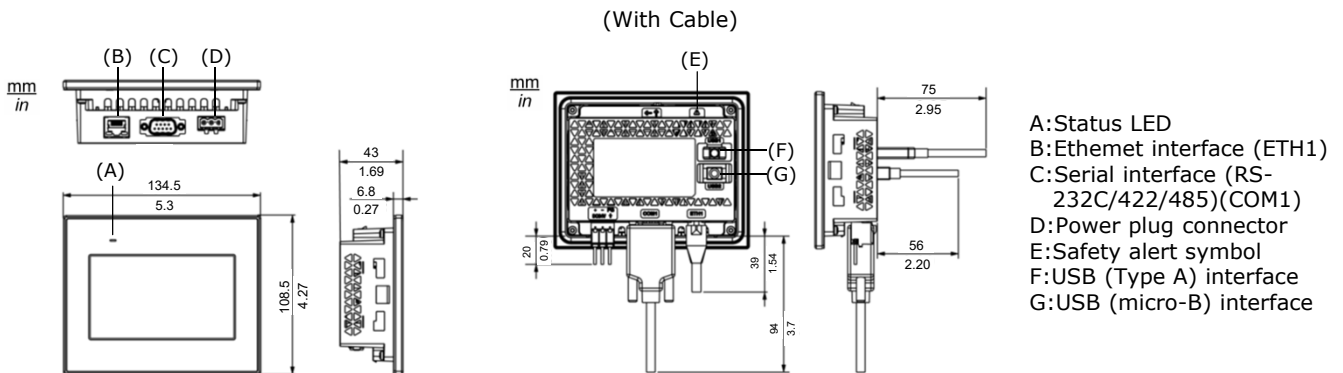
ST6000 Series

External Dimensions / Parts Identification

ST-6400WA



ST-6200WA



SCIENCE GATE
Your Automation Partner



SCIGATE AUTOMATION (S) PTE LTD

No.1 Bukit Batok Street 22 #01-01 Singapore 659592

Tel: (65) 6561 0488

Fax: (65) 6562 0588

Email: sales@scigate.com.sg

Web: www.scigate.com.sg

Business Hours: Monday - Friday 8.30am - 6.15pm