

JBX SERIES



DESCRIPTION

JBX series includes IP68 Junction boxes with reference to atmosphere and Gore protection filter. Commonly used in general industrial applications and in water industry, they are a very useful instrument in design & project layout, as well as field installation, because they allow a better standardization of the “to be installed” instruments cables length. This effectively impact on installation costs and allow, in the time, a more manageable instrumentation maintenance.

APPLICATION FIELDS

JBX junction boxes are used in general and water industry for the junction and connection between instruments and acquisition systems Our technical office is at your disposal for special applications.

TECHNICAL FEATURES

- 4 PG9 Cable Glands
- Protection rating: IP68 (for non-atmospheric vented applications)
- Protection rating: IP54 (for atmospheric vented applications)
- Dimensions: L=108 H=65 W=28
- Approx Weight: 75g
- Junction Box material: PA66 UL94 W2 GWT 850°
- Rubbers material: SEBS -TPE V
- Operating Temperature: -20/+125° C
- 2 Holes for wall mounting Ø3.1mm c-to-c distance mm 86.5
- CE Marking



SCIGATE AUTOMATION (S) PTE LTD

No.1 Bukit Batok Street 22 #01-01 Singapore 659592

Tel: (65) 6561 0488

Fax: (65) 6562 0588

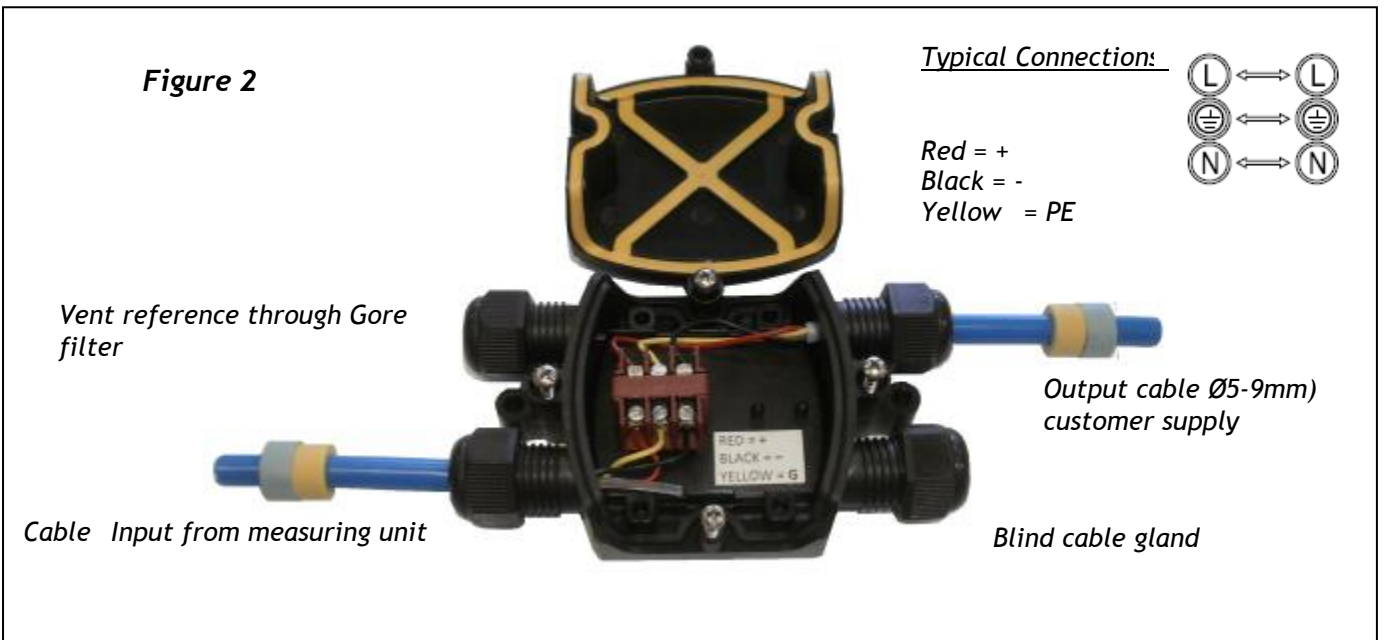
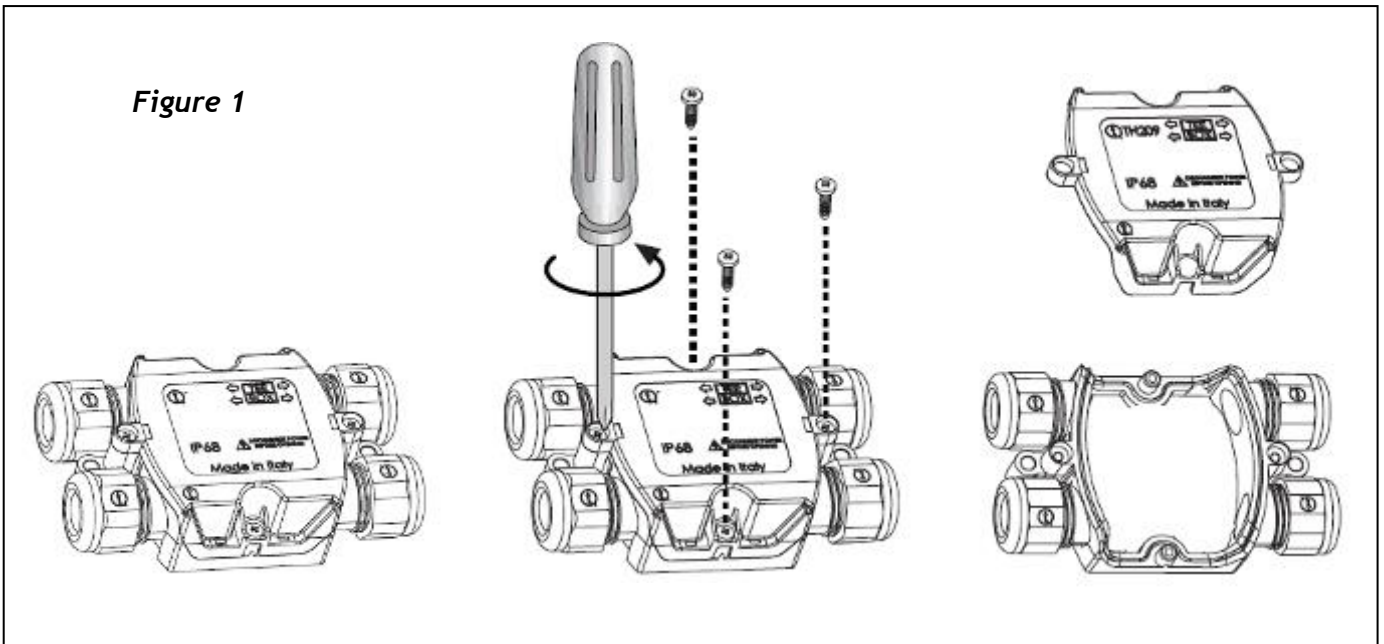
Email: sales@scigate.com.sg

Web: www.scigate.com.sg

Business Hours: Monday - Friday 8.30am - 6.15pm

INSTRUCTIONS FOR INSTALLATION

Isolate main power supply before operating. If not sure, ask for a qualified electrician. To open the Junction Box, please refer to Figure 1. A typical connection to Valcom® transmitters Series 271 and T72 is shown in Figure 2.



SCIGATE AUTOMATION (S) PTE LTD
 No.1 Bukit Batok Street 22 #01-01 Singapore 659592
 Tel: (65) 6561 0488 Fax: (65) 6562 0588
 Email: sales@scigate.com.sg Web: www.scigate.com.sg
 Business Hours: Monday - Friday 8.30am - 6.15pm